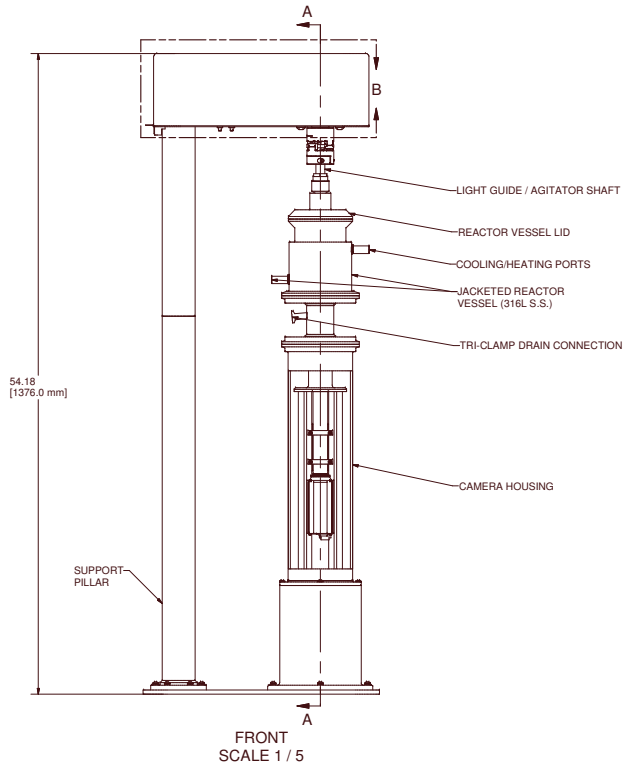
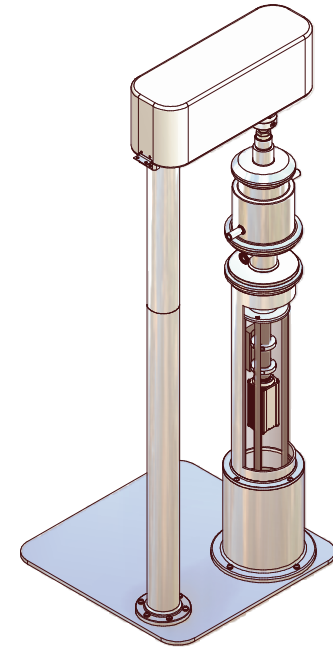
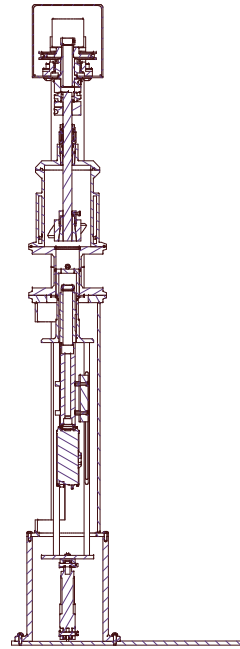


DETAIL B
SCALE 2 / 5



FRONT
SCALE 1 / 5



SECTION A-A

- NOTES:
- 1) MAX. TEMP. RATING = 230 °C (400 °F)
 - 2) PRESSURE RATING = 1 BAR (14.5 PSI)
 - 3) ENVIRONMENTAL RATING = IP66 (NEMA 4X)
 - 4) WETTED MATERIAL IS 316L S.S. / HASTELLOY / TEFLON / BOROPPLUS GLASS
 - 5) NON-WETTED MATERIAL IS POWDER-COATED OR ANODIZED ALUMINIUM

NOTICE
THIS DRAWING IS THE PROPERTY OF J.M. CANTY AND MUST BE RETURNED WITHOUT REPRODUCTION OR DUPLICATION, AT ANY TIME UPON REQUEST, BUT IN ANY EVENT AS SOON AS IT HAS SERVED THE PURPOSE FOR WHICH IT WAS FURNISHED. WHILE IN THE POSSESSION OF THE RECIPIENT, IT MUST BE PROPERLY SAFEGUARDED AGAINST DISCLOSURE TO ANYONE EXCEPT THOSE EMPLOYEES WHO SOLELY REQUIRE IT FOR WORK OR JOB. THE RECIPIENT MUST KEEP CONFIDENTIAL AND REQUIRE HIS / HER EMPLOYEES TO KEEP CONFIDENTIAL THE INFORMATION CONTAINED HERE ON.

IMPORTANT
FOR THE REQUIRED MANUFACTURING SPECIFICATIONS SEE DOCUMENT #A4955
NOTE: FAILURE TO RECEIVE DOCUMENT DOES NOT WAIVE VENDOR RESPONSIBILITY

DRAWN BY	DATE
AJS	8/31/2006
APPROVAL	DATE
RFM	8/31/2006
ENGINEERING ANALYSIS	DATE
CURRENT	
MFG. APPROVAL	DATE
PENDING	
QUALITY CONTROL	DATE
I.O.A.	

J.M. CANTY INC. 8100 DODDNER RD. BUFFALO, N.Y. 14094 U.S.A.		CANTY WWW.JMCANTY.COM		J.M. CANTY INTL. LTD. BALLYCOOLIN BUS. PK. BLANCHARDSTOWN DUBLIN 15, IRELAND
TITLE LAB REACTOR, 1 LITRE VESSEL, W/ AGITATION				
SIZE	REVISION	FILE NAME		
D	0	VD10353-100		
SCALE	AS NOTED	SHEET 2 OF 2		