

# CANTY

## PROCESS TECHNOLOGY

### QUICKPORT™ CLOSURE/QUICK VIEW PORT™



#### THE CANTY ADVANTAGE

The Canty QuickPort™ is a patented, safe, quick opening closure for process vessels. Originally used in the offshore diving industry as a transfer lock on decompression chambers, QuickPorts™ are used with no additional interlock by various non-industrial personnel in applications where any operational failure would be fatal.

The zero leak design has been proven through a combination of air and liquid submergence testing. This cycles the QuickPort™ through external pressure, no pressure and ultra high internal pressure leak testing where a constant o-ring seal was maintained.

The QuickPort™ closure provides a safe, easy, fast way to gain access to a pressure or vacuum vessel. Each QuickPort™ features a sliding door or Fuseview™ that opens laterally to provide full port access. The closure consists of a pad and a retaining flange held apart by spacers, a floating seal ring, and a door or window. As the door is pivoted into the closure the spring loaded seal ring is deflected back to allow the door to fit tightly between the flanges. The spring force creates an air tight seal on the door face and allows the tank to be pressurized or evacuated. A pressure differential holds the door securely in place, thus no bolting is involved.



#### APPLICATIONS

- Vessel Sampling
- Vessel Charging
- Powder Addition
- Glove Box Isolation
- Spray Nozzle Port
- Test Vessels
- Process View Port

#### FEATURES

- No bolting or torquing required
- Zero leak closure
- Instant safe opening
- Full vacuum rated
- ANSI 150 lb. and 300 lb. mount
- DIN 10 bar and 16 bar mount
- Material Stainless steel, Teflon®, Alloy C, Hastelloy® C276 or equal, or Hastelloy®C-22® or equal
- Meets ASME, BS5500, and EC Codes for quick opening closures
- Code material test reports available
- Self pressurized seal ring seals and locks unit regardless of pressure
- All types of o-rings available
- Integral Locking pin

#### OPTIONS

- Limit switch electrical interlock
- Integral Canty spray ring
- Custom sizes available
- High pressure units thru 10,000 PSI (700 Bar)
- Other materials of construction available

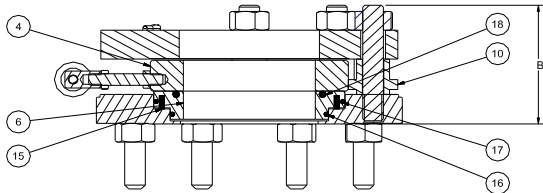
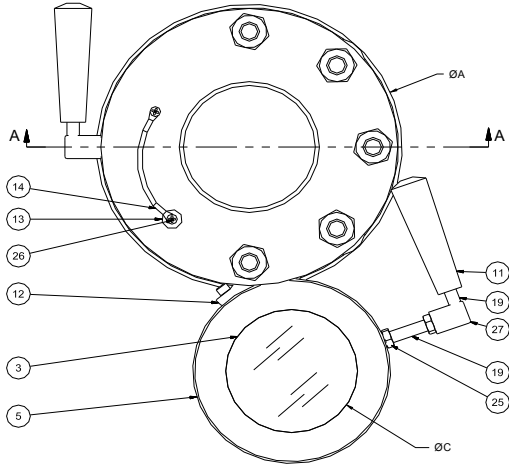
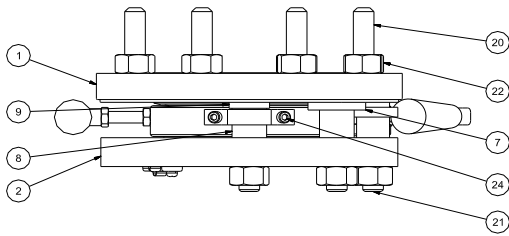
**CANTY**

JM Canty Inc | Buffalo, NY USA  
JM Canty Intl Ltd | Dublin, Ireland

Ph: (716) 625 4227  
Ph: + 353 (01) 882 9621

Fax: (716) 625 4228  
Fax: +353 (01) 882 9622

# QUICKPORT™ SPECIFICATIONS



SECTION A-A

## BILL OF MATERIALS

ITEM	DESCRIPTION
1	PAD
2	RETAINER
3	FUSEVIEW/DOOR
4	FILL RING(OPTIONAL)
5	FUSEVIEW COVER
6	SEAL RING
7	SPACER
8	HINGE SPACER
9	WINDOW SPACER
10	STOP SPACER
11	HANDLE
12	HINGE
13	LOCK PIN
14	WIRE ROPE
15	PRELOAD
16	O-RING (BOSS - WETTED)
17	O-RING (BOSS)
18	O-RING (FACE - WETTED)
19	HANDLE ROD
20	SHORT STUD
21	LONG STUD
22	NUT
23	SET SCREW (NOT SHOWN)
24	HINGE BOLT
25	HANDLE JAM NUT
26	LOCK PIN SCREW
27	RIGHT ANGLE ADAPTER

## VARIABLE DIMENSION SPECIFICATIONS / 150 lb

SIZE	-A-	-B-	-C-	PRESSURE RATING	*MAXIMUM TEMPERATURE
2"	6.25"	3.50"	2.00"	150 PSI	450°F
3"	7.75"	3.88"	2.85"	150 PSI	450°F
4"	9.25"	3.88"	4.00"	150 PSI	450°F
6"	11.25"	4.13"	6.00"	150 PSI	450°F
8"	13.75"	4.70"	8.00"	150 PSI	400°F

## VARIABLE DIMENSION SPECIFICATIONS / 300 lb

SIZE	-A-	-B-	-C-	PRESSURE RATING	*MAXIMUM TEMPERATURE
2"	6.75"	3.75"	2.00"	300 PSI	450°F
3"	8.50"	4.38"	3.00"	300 PSI	450°F
4"	10.25"	4.88"	4.00"	300 PSI	450°F
6"	12.75"	5.25"	6.00"	300 PSI	450°F
8"	15.25"	6.31"	8.00"	300 PSI	400°F

## VARIABLE DIMENSION SPECIFICATIONS / 16 BAR

SIZE mm	-A- mm	-B- mm	-C- mm	PRESSURE RATING	*MAXIMUM TEMPERATURE
50	171	96	51	10/16 BAR	232°C
80	206	96	76	10/16 BAR	232°C
100	226	96	101	10/16 BAR	232°C
150	291	104	152	10/16 BAR	232°C
200	346	118	203	10/16 BAR	204°C

\*Temperature is dependent on O-Ring Material  
 \*Consult Factory for Higher Pressures  
 See TA7553-1 for Interlocking Options

## Ordering Information

HOW TO ORDER: Select the appropriate symbols and build a part number as shown:

### EXAMPLE:

#### MODEL:

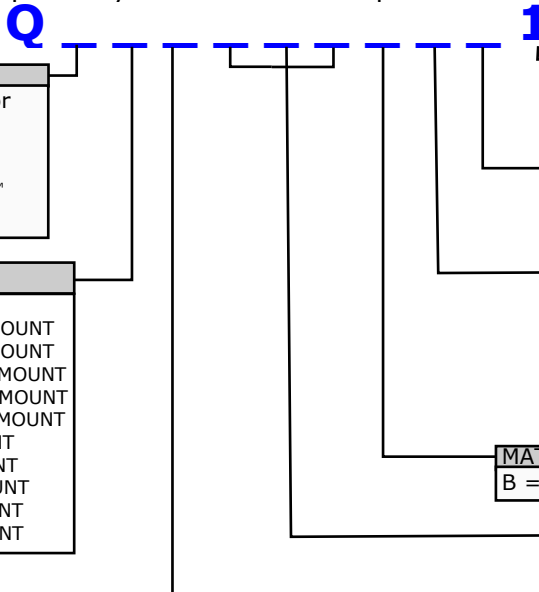
A = QuickPort™ Closure = One Solid Door  
 B = Quick View Port™ = One Fuseview™ Sight Glass  
 E = Quick Fill View Port = One Fuseview™ Sight Glass and One Fill Ring

#### SIZE:

ANSI	DIN
1 = 2" NOZZLE MOUNT	A = 50mm NOZZLE MOUNT
2 = 3" NOZZLE MOUNT	B = 80mm NOZZLE MOUNT
3 = 4" NOZZLE MOUNT	C = 100mm NOZZLE MOUNT
4 = 6" NOZZLE MOUNT	D = 150mm NOZZLE MOUNT
5 = 8" NOZZLE MOUNT	E = 200mm NOZZLE MOUNT
7 = 2" PAD MOUNT	F = 50mm PAD MOUNT
8 = 3" PAD MOUNT	G = 80mm PAD MOUNT
9 = 4" PAD MOUNT	H = 100mm PAD MOUNT
P = 6" PAD MOUNT	I = 150mm PAD MOUNT
Q = 8" PAD MOUNT	J = 200mm PAD MOUNT

#### PRESSURE:

ANSI	DIN
A = 150 PSI	1 = 10 BAR
B = 300 PSI	2 = 16 BAR



#### LOCK OPTIONS:

1 = Manual Locking Pin In Retainer For 1/4" Pad Lock

#### SEAL RING OPTIONS:

B = Self Pressurized(standard)  
 C = Spray Ring

#### O-RING (wetted):

1 = Buna [225°F / 107°C]  
 2 = Viton® [400°F / 204°C]  
 4 = Silicone [450°F / 232°C]  
 8 = EPDM [300°F / 149°C]  
 9 = Neoprene [250°F / 121°C]

#### MATERIAL (non-wetted):

B = S.S. 316L Retainer & S.S. 304 Hardware

#### MATERIAL (wetted):

BBB = 316L Stainless Steel \*  
 DDC = Alloy C\*\*  
 DDD = Hastelloy® C276 or equal  
 EEE = Hastelloy® C-22® or equal  
 IIF = Teflon® and Boro Plus Glass

\*Canty reserves the right to upgrade the Fuseview™ to Hastelloy® C-family of alloys or equal at their own cost.

**CANTY**

JM Canty Inc | Buffalo, NY USA  
 JM Canty Intl Ltd | Dublin, Ireland

Ph: (716) 625 4227  
 Ph: + 353 (01) 882 9621

Fax: (716) 625 4228  
 Fax: +353 (01) 882 9622

www.jmcanty.com