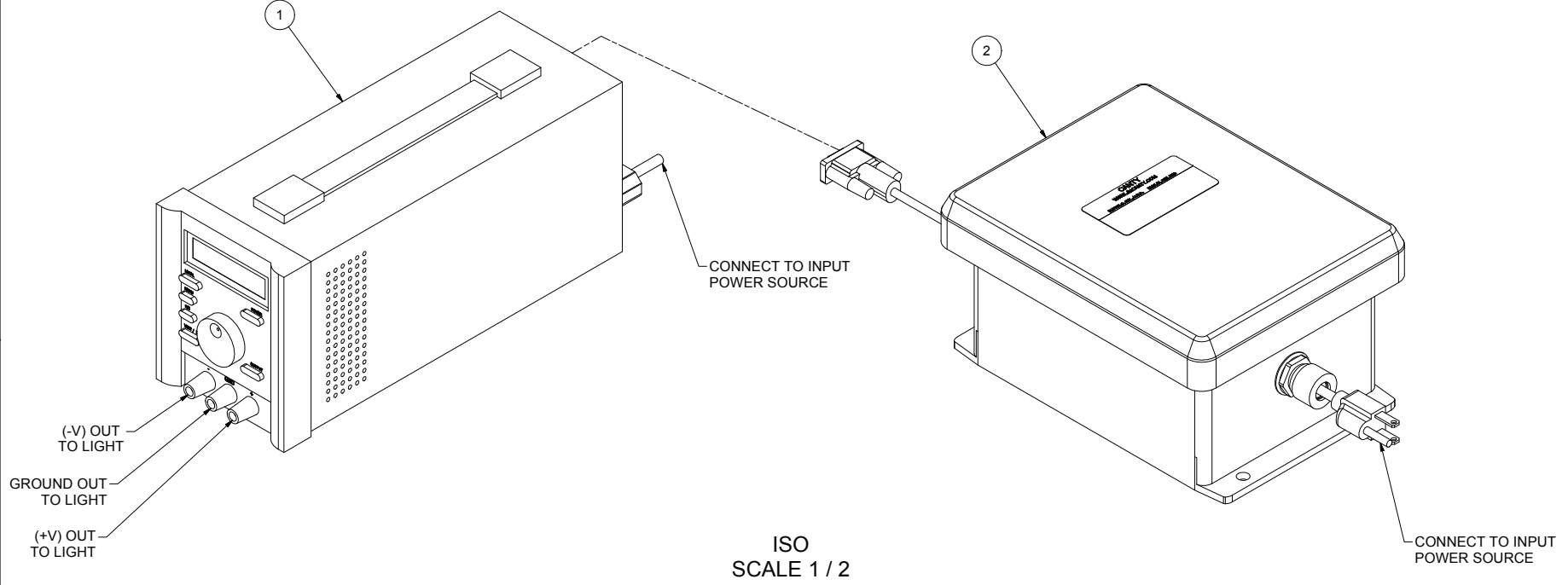


CANTY PN: LD4909-233

SHEET 1 OF 3

BILL OF MATERIALS			
ITEM	QTY	PART NUMBER	TITLE
1	1	LAB1093-2	POWER SUPPLY,REG.,100-230V AC/0-32V DC 3A.,RS-232
2	1	LD11153-100	POWER SUPPLY, ETHERNET-RS232 CONV., LD4909-233 PSU



ISO
SCALE 1 / 2

- NOTES:**
- ALL ITEMS SHOWN IN BILL OF MATERIALS ARE SUPPLIED BY CANTY WHEN ORDERING P/N LD4909-233.
 - ITEM # 1 IS A REGULATED DC OUTPUT POWER SUPPLY FOR A CANTY LIGHT. V+, V- AND GROUND ARE CONNECTED BY THE CUSTOMER TO A CANTY LIGHT. LIGHT NOT SHOWN FOR SIMPLIFICATION.
 - ITEM #2 IS AN ETHERNET CONVERTER BOX FOR THE REGULATED DC POWER SUPPLY. IT CONNECTS TO AN ETHERNET NETWORK AND INTERFACES WITH THE DC OUTPUT POWER SUPPLY TO ALLOW THE USER TO REMOTELY CONTROL THE OUTPUT OF THE POWER SUPPLY VIA CANTYVISIONCLIENT™ SOFTWARE.

NOTICE
THIS DRAWING IS THE PROPERTY OF J.M. CANTY AND MUST BE RETURNED WITHOUT REPRODUCTION OR DUPLICATION, AT ANY TIME UPON REQUEST, BUT IN ANY EVENT AS SOON AS IT HAS SERVED THE PURPOSE FOR WHICH IT WAS FURNISHED, WHILE IN THE POSSESSION OF THE RECIPIENT, IT MUST BE PROPERLY SAFEGUARDED AGAINST DISCLOSURE TO ANYONE EXCEPT THOSE EMPLOYEES WHO REQUIRE IT FOR WORK OR JOB. THE RECIPIENT MUST KEEP CONFIDENTIAL AND REQUIRE HIS (HER) EMPLOYEES TO KEEP CONFIDENTIAL THE INFORMATION CONTAINED HERE ON.

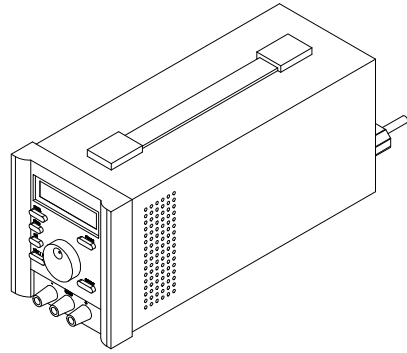
IMPORTANT
FOR THE REQUIRED MANUFACTURING SPECIFICATIONS SEE DOCUMENT #A4955

NOTE: FAILURE TO RECEIVE DOCUMENT DOES NOT WAIVE VENDOR RESPONSIBILITY

DRAWN BY JD	DATE 07-Oct-08
APPROVAL JD	DATE 07-Oct-08
ENGINEERING ANALYSIS CURRENT	DATE
MFG. APPROVAL PENDING	DATE
QUALITY CONTROL I.O.A.	DATE

J.M. CANTY INC. 6100 DONNER RD. BUFFALO, N.Y. 14094 U.S.A.		CANTY WWW.JMCANTY.COM	J.M. CANTY INTL. LTD. BALLYCOOLIN BUS. PK. BLANCHARDSTOWN DUBLIN 15, IRELAND
TITLE SPECIFICATION DETAIL, CANTY P/N LD4909-233, REGULATED LIGHT PSU KIT, ETHERNET CTRL, 120/230V			
SIZE / REVISION C 0	FILE NAME TC11153-200	SCALE AS NOTED	
		SHEET 1 OF 3	

SHEET 2 OF 3



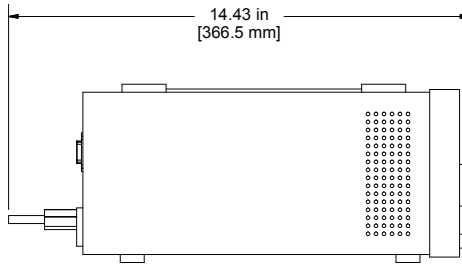
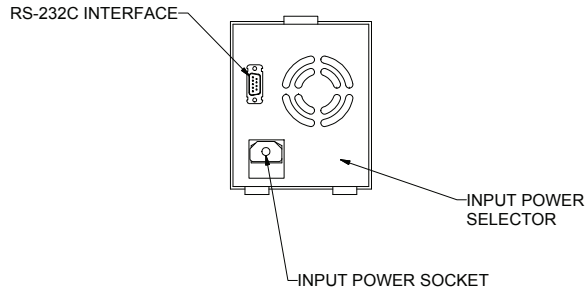
SCALE 1 / 3

SPECIFICATIONS

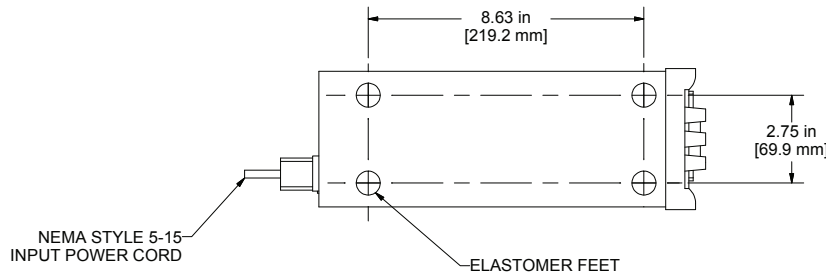
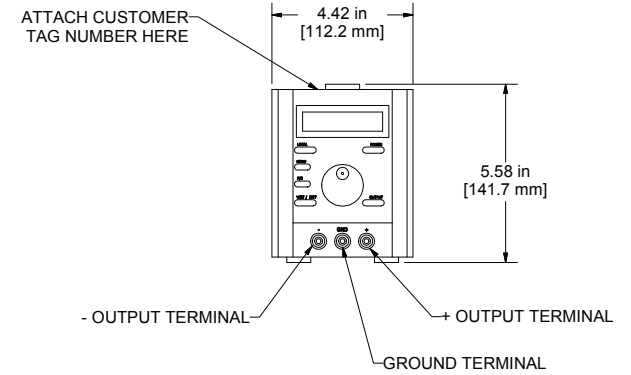
P/N	LAB1093-2
MODEL	POWER SUPPLY,REG.,100-230V AC/0-32V DC 3A,,RS-232
INPUT SPECIFICATIONS	100V, 120V, 220V OR 230V AC, 50/60 Hz, 3A AT 100V
OUTPUT SPECIFICATIONS	0-32 VDC, 3A MAX.

FEATURES

- NEMA TYPE 1 / IP20 ENCLOSURE. CUSTOMER MUST LOCATE IN A SUITABLE AREA OR ENCLOSURE AS NEEDED.
- MAX. RECOMMENDED DISTANCE BETWEEN PSU AND LIGHT IS 100 FT. [30.5 m] WITH 16 AWG / 1.5mm² SHIELDED WIRE.
- REMOTE CONTROLLED PROGRAMMABLE OUTPUT OPTIONS.



SIDE SCALE 1 / 3



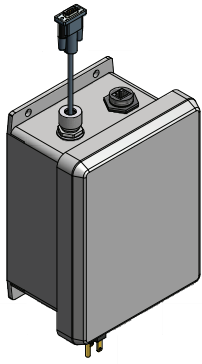
ITEM DESCRIPTION: REGULATED LIGHT POWER SUPPLY. MUST BE MOUNTED IN SAFE AREA OR PUT IN SUITABLE ENCLOSURE.

NOTES:

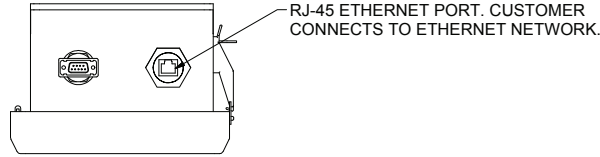
1. ALL INFORMATION IS SUBJECT TO CHANGE WITHOUT NOTICE.
2. APPROXIMATE WEIGHT 11 lb. [4.5 kg].
3. 4.23mm BANNANA JACK SCREW DOWN WIRE BINDING POST WILL ACCEPT UP TO A 16 GAGE WIRE.

<p>NOTICE</p> <p>THIS DRAWING IS THE PROPERTY OF J.M. CANTY AND MUST BE RETURNED WITHOUT REPRODUCTION OR DUPLICATION, AT ANY TIME UPON REQUEST, BUT IN ANY EVENT AS SOON AS IT HAS SERVED THE PURPOSE FOR WHICH IT WAS FURNISHED, WHILE IN THE POSSESSION OF THE RECIPIENT, IT MUST BE PROPERLY SAFEGUARDED AGAINST DISCLOSURE TO ANYONE EXCEPT THOSE EMPLOYEES WHO REQUIRE IT FOR WORK OR JOB. THE RECIPIENT MUST KEEP CONFIDENTIAL AND REQUIRE HIS (HER) EMPLOYEES TO KEEP CONFIDENTIAL THE INFORMATION CONTAINED HERE ON.</p>	<p>IMPORTANT</p> <p>FOR THE REQUIRED MANUFACTURING SPECIFICATIONS SEE DOCUMENT #A4955</p> <p>NOTE: FAILURE TO RECEIVE DOCUMENT DOES NOT WAIVE VENDOR RESPONSIBILITY</p>	<p>DRAWN BY</p> <p>JD</p>	<p>DATE</p> <p>07-Oct-08</p>	<p>J.M. CANTY INC. 6100 DONNER RD. BUFFALO, N.Y. 14094 U.S.A.</p>	<p>CANTY</p> <p>WWW.JMCANTY.COM</p>	<p>J.M. CANTY INTL. LTD. BALLYCOOLIN BUS. PK. BLANCHARDSTOWN DUBLIN 15, IRELAND</p>	
		<p>APPROVAL</p> <p>JD</p>	<p>DATE</p> <p>07-Oct-08</p>				
		<p>ENGINEERING ANALYSIS</p> <p>CURRENT</p>	<p>DATE</p>	<p>TITLE</p> <p>SPECIFICATION DETAIL, CANTY P/N LD4909-233, REGULATED LIGHT PSU KIT, ETHERNET CTRL., 120/230V</p>			
		<p>MFG. APPROVAL</p> <p>PENDING</p>	<p>DATE</p>	<p>QUALITY CONTROL</p> <p>I.O.A.</p>	<p>DATE</p>	<p>SIZE / REVISION</p> <p>C 0</p>	<p>FILE NAME</p> <p>TC11153-200</p>

SHEET 3 OF 3

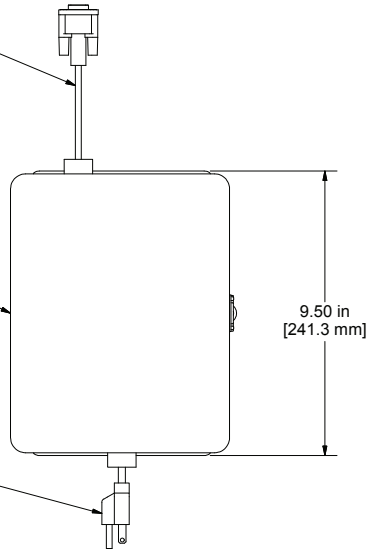


SCALE 1 / 4



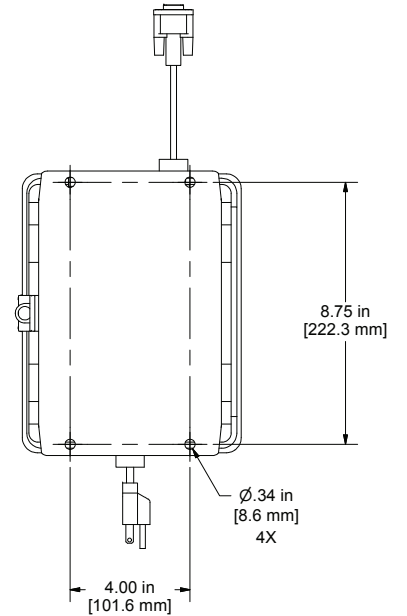
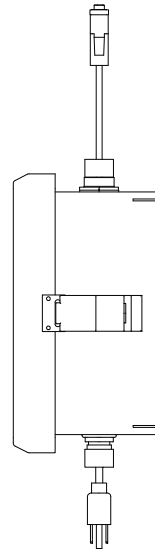
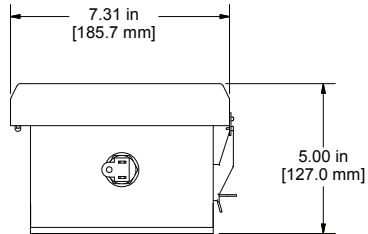
4 FT. [1.2m] RS-232 OUTPUT CABLE. CONNECTS TO MATING PORT ON LAB1093-2 POWER SUPPLY

FIBERGLASS ENCLOSURE



6 FT. [1.8m] NEMA STYLE 5-15 INPUT POWER PLUG

FRONT SCALE 5 / 16



SPECIFICATIONS

P/N	LD11153-100
MODEL	POWER SUPPLY, ETHERNET-RS232 CONV.
INPUT SPECIFICATIONS	100 - 240V AC, 50/60 Hz, .45A
OUTPUT SPECIFICATIONS	RS-232 CONTROL OUTPUT TO DC POWER SUPPLY

FEATURES

- NEMA TYPE 4X / IP66 ENCLOSURE.
- INTERFACES WITH CANTYVISIONCLIENT™ FOR SOFTWARE CONTROL OF DC POWER SUPPLY.

NOTES:

1. ALL INFORMATION IS SUBJECT TO CHANGE WITHOUT NOTICE.
2. APPROXIMATE WEIGHT 5 lb. [2.3 kg].

NOTICE

THIS DRAWING IS THE PROPERTY OF J.M. CANTY AND MUST BE RETURNED WITHOUT REPRODUCTION OR DUPLICATION, AT ANY TIME UPON REQUEST, BUT IN ANY EVENT AS SOON AS IT HAS SERVED THE PURPOSE FOR WHICH IT WAS FURNISHED, WHILE IN THE POSSESSION OF THE RECIPIENT, IT MUST BE PROPERLY SAFEGUARDED AGAINST DISCLOSURE TO ANYONE EXCEPT THOSE EMPLOYEES WHO REQUIRE IT FOR WORK OR JOB. THE RECIPIENT MUST KEEP CONFIDENTIAL AND REQUIRE HIS (HER) EMPLOYEES TO KEEP CONFIDENTIAL THE INFORMATION CONTAINED HERE ON.

IMPORTANT

FOR THE REQUIRED MANUFACTURING SPECIFICATIONS SEE DOCUMENT #A4955

NOTE: FAILURE TO RECEIVE DOCUMENT DOES NOT WAIVE VENDOR RESPONSIBILITY

DRAWN BY	DATE
JD	07-Oct-08
APPROVAL	DATE
JD	07-Oct-08
ENGINEERING ANALYSIS	DATE
CURRENT	
MFG. APPROVAL	DATE
PENDING	
QUALITY CONTROL	DATE
I.O.A.	

J.M. CANTY INC. 6100 DONNER RD. BUFFALO, N.Y. 14094 U.S.A.		CANTY WWW.JMCANTY.COM	J.M. CANTY INTL. LTD. BALLYCOOLIN BUS. PK. BLANCHARDSTOWN DUBLIN 15, IRELAND
TITLE SPECIFICATION DETAIL, CANTY P/N LD4909-233, REGULATED LIGHT PSU KIT, ETHERNET CTRL., 120/230V			
SIZE / REVISION	FILE NAME		
C 0	TC11153-200		
SCALE AS NOTED	SHEET 3 OF 3		