

CANTY

PROCESS TECHNOLOGY

Direct Insertion Camera



HOW IT WORKS

The Canty Direct Insertion Camera is designed for optimal image quality that is achieved by placing a camera as close to the process as possible. The camera is placed within the insertion tube reducing lens length and reducing loss of image quality. The increase quality is ideal for applications that need very high picture quality and that need insertions up to 36" (914mm) in length.

Other keys for the Canty Direct Insertion Camera system is the Canty light. Canty uses fiber optic light guides to focus cool, effective light into a process vessel or area. Cool light eliminates product bake over on the viewing window. Fiber optic light guides have been specifically designed to work in conjunction with cool light to maximize the light transmission into the vessel. The resulting live, remote video image from this illumination is unparalleled!

OPTIONS

- Vector System - level/foam control, volume control, in-line particle sizing, color analysis
- Time/date generators - overlay time and date stamp onto video picture
- Data overlay - overlay pH, temp, pressure, etc. onto video picture
- Fiber Optic Link - replaces coaxial cable, need for conduit

APPLICATIONS

- Spray Dryer Applications
 - Dairy Powders
 - Pharmaceutical Powders
 - Tablet Coaters
- Polymers - Verify empty, monitor level
- Crystallizers - Liquid and foam level
- Fermentors - Liquid and foam level
- High purity pharmaceutical applications
- Toxic Material - Remote viewing
- Foam and Fluid Level monitoring in:
 - Shredders Hoppers Nutsche Filters
 - Latex Applications Strippers Pressure Vessels

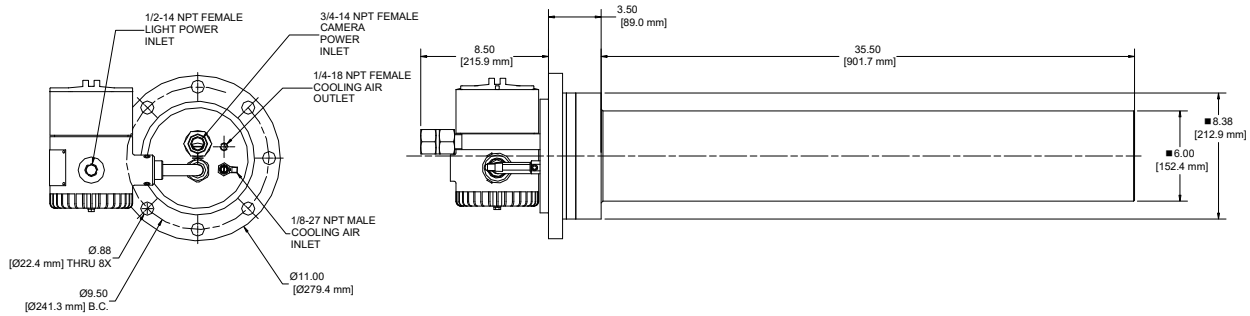
FEATURES

- High resolution CCD cameras - available in B&W and color, NTSC, PAL and Ethernet output
- Remotely view your process from the comforts of a control room
- Single nozzle viewing / illuminating (with light)
- Remote light dimming options
- Fused Glass Interface
- Fiber Optic "Cold" Light Means No Product Bake-On

SPECIFICATIONS

CCD Sensor:	NTSC, PAL or Ethernet outputs available.
Sensitivity:	Color - .1 lux typ. at F = 1.4 B&W - .0001 lux typ. at F = 1.4
Video Output:	1.0 V p-p, 75 ohm(NTSC, PAL models) or Ethernet output to PC available
Cable:	RG 59/U, RG 11/U, RG 6/U coaxial cable suitable for CCTV applications is recommended for analog cameras. Ethernet cameras require CAT5e or better cabling.
Power Req.:	12 V DC, 0.5A typ. User supplies 120 V AC, 60 Hz power (240 V , 50 Hz models available) Canty supplies transformer to 12V DC.
Ratings:	Available in NEMA 4, IP66
Mounting:	6", 8", 10" 150# ANSI or 80mm DIN flange, 8" Tri-Clamp

Ordering Information



HOW TO ORDER: Select the appropriate symbols and build a part number as shown:

EXAMPLE:

V6B21B61J - 18INS - CT-ST

VISION SYSTEM

V - North American standard
VE - European standard

ENVIRONMENTAL RATINGS

6 - NEMA 4 weather proof, IP66
7- Explosion proof (US) or Flame proof (Europe)

CAMERA OPTIONS

B - B & W camera
L - Low Light B & W camera
C - Color camera
I - Color Neutral Camera
E - Ethernet Network Video camera

LENS OPTIONS

(Note: Some lenses are not available with certain mounting connections. Consult your binder for details)

2 - 56° (H) x 43° (V)
3 - 69° (H) x 53° (V)
6 - 41° (H) x 31° (V)

CAMERA POWER SUPPLY OPTIONS

- 1 - User supplies 120 V AC. Power supply in a non WP or EXP enclosure. User provides enclosure and switch as needed.
- 2 - No power supply required.
- 5 - User supplies 120 V AC. Power supply in a WP enclosure.
- 6 - User supplies 240 V AC. Power supply in an IP/WP enclosure.
- 7 - User supplies 120 V AC. Power supply in an EXP enclosure. PSU enclosure is rated Class I, Div 1, Groups C & D.
- 8 - User supplies 240 V AC. Power supply in non WP or FP enclosure. User provides enclosure and switch as needed.

WETTED MATERIAL OPTION

B - 316 L Stainless Steel*
D - Hastelloy® C-276 or equal
E - Hastelloy® C-22® or equal

MAINTENANCE OPTIONS

CT - ST - Cooling Tube, Spray Tube
(insertion lengths > 18")

INSERTION LENGTHS

18INS- 18" [457mm] Insertion
24INS - 24" [610mm] Insertion
36INS - 36" [914mm] Insertion

LIGHT OPTIONS

J - HYL 80 1SRDO (120 V)
G - HYL 80 1SRDO (240 V)
A - HYL 80 1SDO (120 V)
N - Camera only - will not accept an integral light
0 - Combo w/ light - will accept an existing light (Note: Without a light source the camera cannot maintain WP or EXP integrity)

NON WETTED MATERIAL

0 - No flange required (if selecting a flanged model). Select this option when choosing NPT or Tri-clamp® models also.
1 - 150 # carbon steel ANSI flange
2 - 150 # 316L stainless steel ANSI flange
3 - 300 # carbon steel ANSI flange
4 - 300 # 316L stainless steel ANSI flange
6 - 16 Bar carbon steel DIN flange
7 - 16 Bar stainless steel DIN flange
8 - 10 Bar carbon steel DIN flange

MOUNTING CONNECTION

6 - 6" ANSI flange
8 - 8" ANSI flange
10 - 10" ANSI flange
T - 8" Tri-clamp®
S - 80FL16S- 80mm DIN flange
(Consult factory for additional sizes and ratings.)

CANTY

JM Canty Inc
JM Canty Intl Ltd

Buffalo, NY USA
Dublin, Ireland

Ph: (716) 625 4227
Ph: + 353 (01) 882 9621

Fax: (716) 625 4228
Fax: +353 (01) 882 9622

www.jmcanty.com

*Canty reserves the right to upgrade to Hastelloy® C family of alloys or equal at their own cost

Document P/N: TA10388-1 Rev. 4

All registered trademarks are the property of their respective owners.