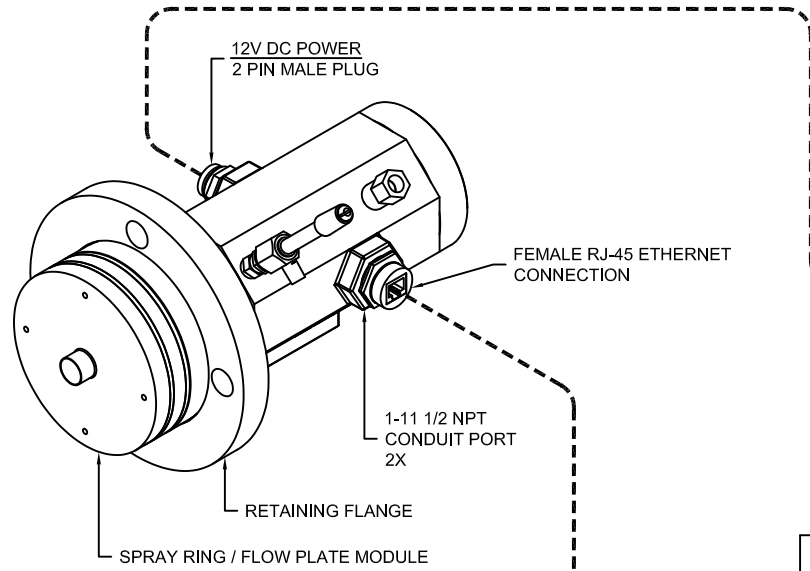
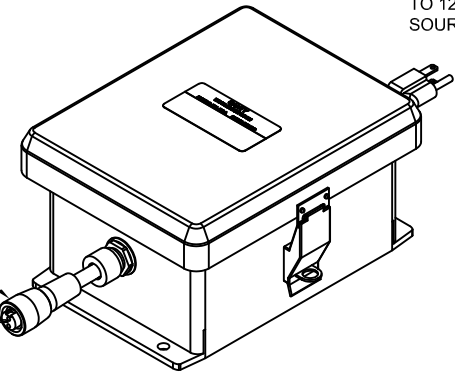


PROCESS AREA



HIGH TEMP. VISION SYSTEM, NON-INSERTION

12V DC CAMERA POWER
2 PIN FEMALE PLUG & 20 ft. [6m] CABLE
PROVIDED TO CONNECT DIRECTLY TO
MALE FITTING ON HOUSING
(CUSTOMER CAN EXTEND WIRING TO A
MAX. DISTANCE OF 100 ft. [30.5m])

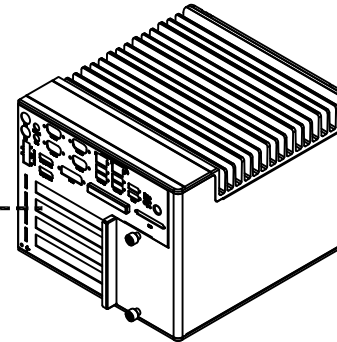


NEMA TYPE 4 OR IP 66
POWER SUPPLY

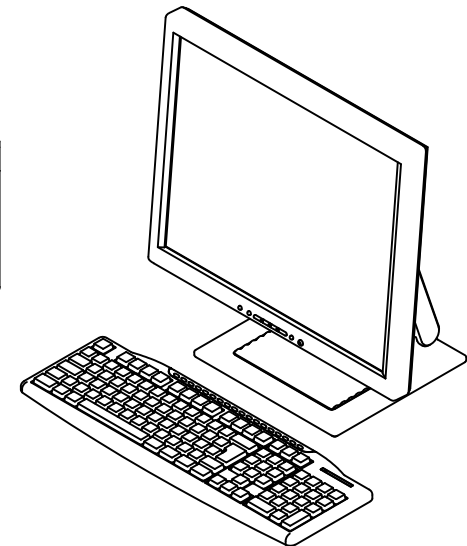
TO 120V AC, 60 Hz
SOURCE

CUSTOMER TO SUPPLY CAT6
ETHERNET CABLE WITH RJ-45
TERMINATIONS

SAFE AREA



VECTOR CONTROL MODULE (VCM)
24V DC



TYPICAL MONITOR & KEYBOARD

NOTES:

1. ANY WIRING AND CONNECTORS ARE SUPPLIED BY CUSTOMER AND MUST BE COMPLETED IN ACCORDANCE WITH APPLICABLE REGULATIONS.
2. ETHERNET CAMERA IS CONNECTED TO CUSTOMER'S DEDICATED ETHERNET NETWORK VIA CAT6 ETHERNET CABLE.
3. EACH ETHERNET VISION SYSTEM IS PROVIDED WITH A LICENSE OF CANTYVISION SOFTWARE INSTALLED ON A CANTY VECTOR CONTROL MODULE (VCM).
4. THIS DOCUMENT IS INCLUDED WITH THE HIGH TEMPERATURE VISION SYSTEM, NON-INSERTION INSTALLATION AND OPERATION MANUAL TA10790-1.
5. ALL INFORMATION SUBJECT TO CHANGE WITHOUT NOTICE.

NOTICE
THIS DRAWING IS THE PROPERTY OF J.M. CANTY AND MUST BE RETURNED WITHOUT REPRODUCTION OR DUPLICATION, AT ANY TIME UPON REQUEST, BUT IN ANY EVENT AS SOON AS IT HAS SERVED THE PURPOSE FOR WHICH IT WAS FURNISHED, WHILE IN THE POSSESSION OF THE RECIPIENT, IT MUST BE PROPERLY SAFEGUARDED AGAINST DISCLOSURE TO ANYONE EXCEPT THOSE EMPLOYEES WHO REQUIRE IT FOR WORK OR JOB. THE RECIPIENT MUST KEEP CONFIDENTIAL AND REQUIRE HIS (HER) EMPLOYEES TO KEEP CONFIDENTIAL THE INFORMATION CONTAINED HERE ON.

IMPORTANT
FOR THE REQUIRED
MANUFACTURING
SPECIFICATIONS SEE
DOCUMENT #A4955

NOTE: FAILURE TO
RECEIVE DOCUMENT
DOES NOT WAIVE
VENDOR
RESPONSIBILITY

DRAWN BY GKW	DATE 27-Oct-17
APPROVAL MFR	DATE 30-Oct-17
ENGINEERING ANALYSIS CURRENT	DATE
MFG. APPROVAL PENDING	DATE
QUALITY CONTROL I.O.A.	DATE

J.M. CANTY INC.
6100 DONNER RD.
BUFFALO, N.Y. 14094
U.S.A.

CANTY
WWW.JMCANTY.COM

J.M. CANTY INTL. LTD.
BALLYCOOLIN BUS. PK.
BLANCHARDSTOWN
DUBLIN 15, IRELAND

TITLE TYPICAL ETHERNET VISION SYSTEM LAYOUT, HIGH TEMP. SYSTEM, NON-INSERTION, W/ VCM	
SIZE C	REVISION 0
SCALE NTS	FILE NAME TA11950-1008
SHEET 1 OF 1	