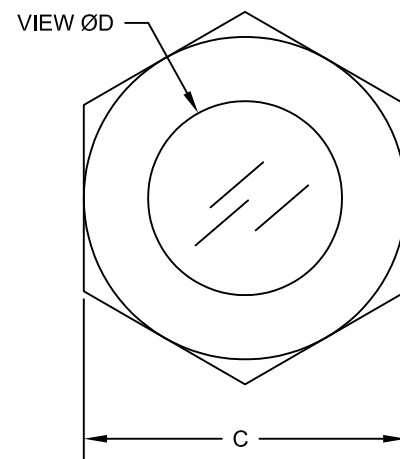


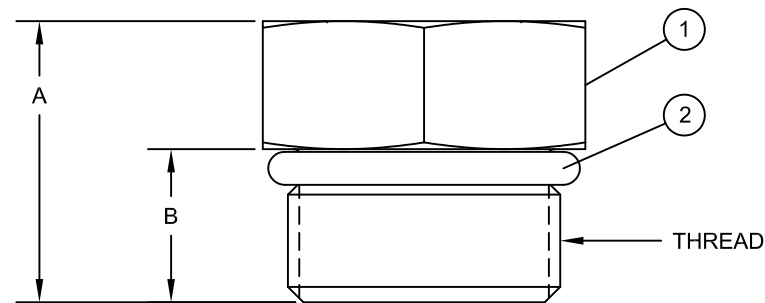
FUSEVIEW™ THREADED MODEL MS P/N

	MODEL / CONNECTION	PRESSURE	SIZE	FUSEVIEW™ (WETTED)	FUSING GLASS (WETTED)	LAMINATING MATERIAL	RETAINER MATERIAL	TEMPERATURE	OUTER FUSEVIEW™
S	6				1			A	
	6 = MS	C = 500 psi E = 1000 psi	P = 1/4" T = 1" Q = 3/8" U = 1 1/2" R = 1/2" V = 2" S = 3/4"	A = CS B = SS D = C276	1 = BORO PLUS™	0 = NONE	0 = NONE	A = ↓450°F	∅ = NONE



LEGEND
 CS = CARBON STEEL
 SS = 316 STAINLESS STEEL
 C276 = HASTELLOY® C276 OR EQUAL

TUBE SIZE	THREAD	VARIABLE DIMENSION SPECIFICATIONS				O-RING P/N		
		A	B	C	∅D	BUNA O-RING P/N	VITON® O-RING P/N	SILICONE O-RING P/N
1/4	7/16-20	.670	.359	9/16	1/4	S3-904-1	S3-904-2	S3-904-5
3/8	9/16-18	.730	.390	11/16	11/32	S3-906-1	S3-906-2	S3-906-5
1/2	3/4-16	.800	.438	7/8	1/2	S3-908-1	S3-908-2	S3-908-5
3/4	1 1/16-12	1.090	.594	1 1/4	3/4	S3-912-1	S3-912-2	S3-912-5
1	1 5/16-12	1.120	.594	1 1/2	15/16	S3-916-1	S3-916-2	S3-916-5
1 1/2	1 7/8-12	1.270	.594	2 1/8	1 1/8	S3-924-1	S3-924-2	S3-924-5
2	2 1/2-12	1.430	.594	2 3/4	1 1/2	S3-932-1	S3-932-2	S3-932-5



BILL OF MATERIALS			
NO.	QTY.	DESCRIPTION	MATERIAL
1	1	MS FUSEVIEW™	C.S., S.S., C276
2	1	O-RING	BUNA, VITON®, SILICONE

NOTES:

- CARBON STEEL FUSEVIEWS™ ARE NICKEL PLATED.
- WHEN ORDERING, SPECIFY O-RING AS A SEPARATE PART NUMBER.
- HASTELLOY® IS A REGISTERED TRADEMARK OF HAYNES INTERNATIONAL, INC.
VITON® IS A REGISTERED TRADEMARK OF THE DUPONT CORPORATION.

<p>NOTICE THIS DRAWING IS THE PROPERTY OF J.M. CANTY AND MUST BE RETURNED WITHOUT REPRODUCTION OR DUPLICATION, AT ANY TIME UPON REQUEST, BUT IN ANY EVENT AS SOON AS IT HAS SERVED THE PURPOSE FOR WHICH IT WAS FURNISHED. WHILE IN THE POSSESSION OF THE RECIPIENT, IT MUST BE PROPERLY SAFEGUARDED AGAINST DISCLOSURE TO ANYONE EXCEPT THOSE EMPLOYEES WHO REQUIRE IT FOR WORK OR JOB. THE RECIPIENT MUST KEEP CONFIDENTIAL AND REQUIRE HIS (HER) EMPLOYEES TO KEEP CONFIDENTIAL THE INFORMATION CONTAINED HERE ON.</p>	DRAWN BY GKW	DATE 02-21-94	J.M. CANTY INC. 6100 DONNER RD. BUFFALO, N.Y. 14094 U.S.A.	CANTY WWW.JMCANTY.COM	J.M. CANTY INTL. LTD. BALLYCOOLIN BUS. PK. BLANCHARDSTOWN DUBLIN 15, IRELAND	
	APPROVAL RFM	DATE 02-21-94				
	ENGINEERING ANALYSIS CURRENT	DATE	TITLE FUSEVIEW THREADED MODEL MS DIMENSIONS & P/N SELECTION - SALES			
	MFG. APPROVAL PENDING	DATE	SIZE C	REVISION 7	FILE NAME 94B5071	
	QUALITY CONTROL I.O.A.	DATE	SCALE N.T.S.			SHEET 1 OF 1