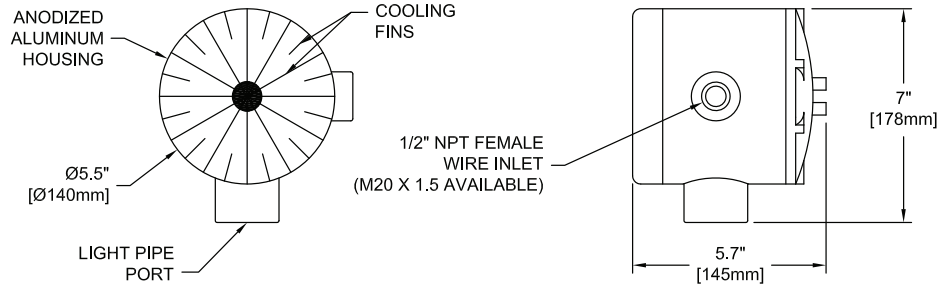
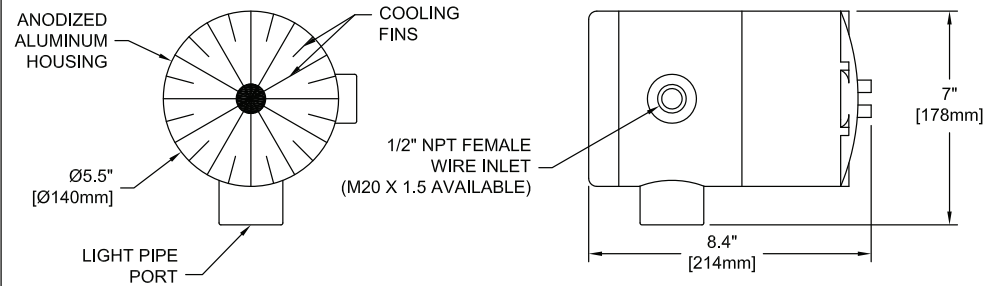


# AVAILABLE WP / EXP LIGHT PIPE CONNECTIONS

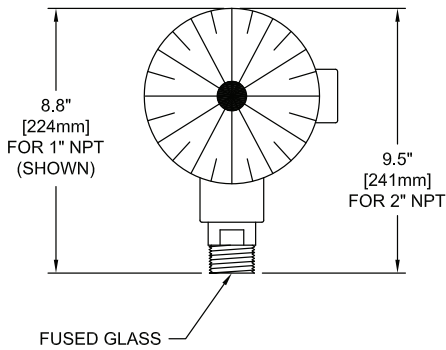
## STANDARD LIGHT SOURCE DIMENSIONS



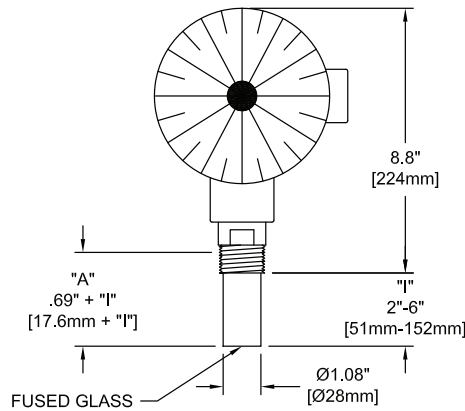
## TOROIDAL LIGHT SOURCE DIMENSIONS



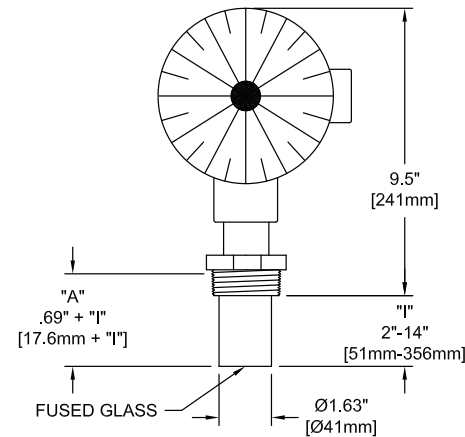
## NPT MOUNT



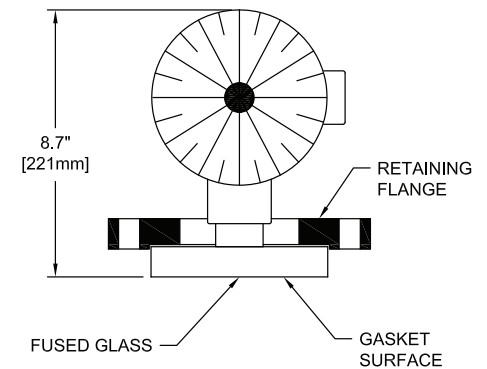
## 1" NPT MOUNT INSERTION



## 2" NPT MOUNT INSERTION



## FLANGE MOUNT



## AVAILABLE CONNECTION SIZES

- 1" NPT	- 1" NPT WITH 2" THRU 6" INSERTION	- 2" NPT WITH 2" THRU 14" INSERTION	- ANSI FLANGE 2" THRU 4"
- 2" NPT			- DIN FLANGE 50mm THRU 100mm

## AVAILABLE WETTED MATERIALS

<ul style="list-style-type: none"> <li>- CARBON STEEL</li> <li>- STAINLESS STEEL 316L</li> <li>- HASTELLOY® C276</li> <li>- HASTELLOY® C22®</li> </ul>	<ul style="list-style-type: none"> <li>- CARBON STEEL</li> <li>- HASTELLOY® C276</li> <li>- HASTELLOY® C22®</li> </ul>	<ul style="list-style-type: none"> <li>- CARBON STEEL</li> <li>- STAINLESS STL. 316L</li> <li>- HASTELLOY® C276</li> <li>- HASTELLOY® C22®</li> </ul>	<ul style="list-style-type: none"> <li>- CARBON STEEL</li> <li>- STAINLESS STEEL 316L</li> <li>- HASTELLOY® C276</li> <li>- HASTELLOY® C22®</li> <li>- BORO PLUS™ GLASS</li> </ul>
--	--	---	--

NOTE: 1. ALL REGISTERED TRADEMARKS ARE PROPERTY OF THEIR RESPECTIVE OWNERS. 2. ALL INFORMATION SUBJECT TO CHANGE WITHOUT NOTICE.