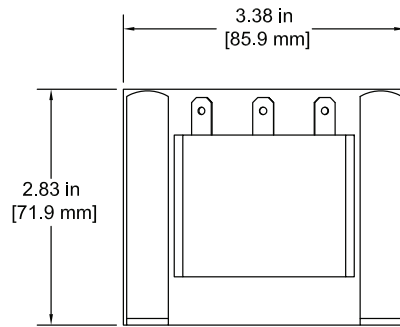
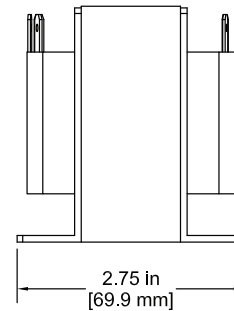


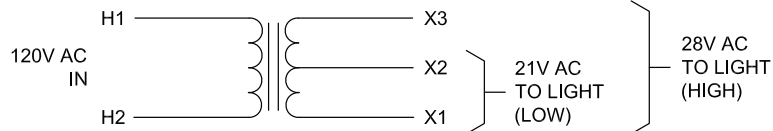
TOP



FRONT



SIDE



WIRING SCHEMATIC

SPECIFICATIONS

P/N	L051
MODEL	HYL 80-10EM (120V)
INPUT VOLTAGE	120V AC, 50/60 Hz
OUTPUT VOLTAGE	21V AC (LOW) & 28V AC (HIGH)
POWER REQUIREMENT	80 VA
TIMER	NO

FEATURES

- CHASSIS MOUNT, NEMA UNRATED / IP00 POWER SUPPLY
- CONNECTION TYPE = 1/4" MALE QUICK CONNECT TABS
- TIMER NOT AVAILABLE

NOTES:

1. ALL INFORMATION SUBJECT TO CHANGE WITHOUT NOTICE

<p>NOTICE THIS DRAWING IS THE PROPERTY OF J.M. CANTY AND MUST BE RETURNED WITHOUT REPRODUCTION OR DUPLICATION AT ANY TIME UPON REQUEST, BUT IN ANY EVENT AS SOON AS IT HAS SERVED THE PURPOSE FOR WHICH IT WAS FURNISHED, WHILE IN THE POSSESSION OF THE RECIPIENT, IT MUST BE PROPERLY SAFEGUARDED AGAINST DISCLOSURE TO ANYONE EXCEPT THOSE EMPLOYEES WHO REQUIRE IT FOR WORK OR JOB. THE RECIPIENT MUST KEEP CONFIDENTIAL AND REQUIRE HIS (HER) EMPLOYEES TO KEEP CONFIDENTIAL THE INFORMATION CONTAINED HERE ON.</p>	DRAWN BY GKW	DATE 17-MAY-07	J.M. CANTY INC. 6100 DONNER RD. BUFFALO, N.Y. 14094 U.S.A.		J.M. CANTY INTL. LTD. BALLYCOOLIN BUS. PK. BLANCHARDSTOWN DUBLIN 15, IRELAND	
	APPROVAL JD	DATE 13-AUG-07				
	ENGINEERING ANALYSIS CURRENT	DATE	TITLE POWER SUPPLY SPECIFICATIONS, P/N L051, MODEL HYL 80-10EM (120V)			
	MFG. APPROVAL PENDING	DATE	SIZE C	REVISION 0	FILE NAME C10822	
	QUALITY CONTROL I.O.A.	DATE	SCALE N.T.S.	SHEET 1 OF 1		