

SPECIFICATIONS

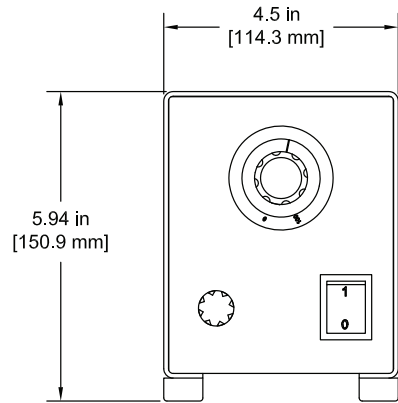
P/N	LD4519-2
MODEL	HYL 80-1SDO (120V)
INPUT VOLTAGE	120V AC, 50/60 Hz
OUTPUT VOLTAGE	0 - 24V AC
POWER REQUIREMENT	80 VA
TIMER	NO

FEATURES

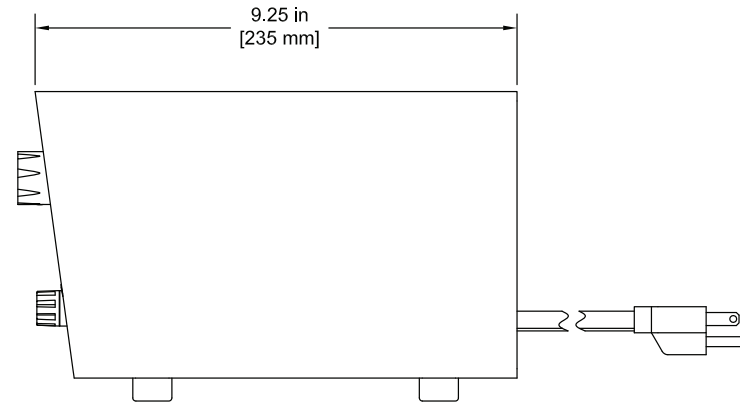
- CABINET MOUNTED POWER SUPPLY, NEMA TYPE 1 / IP20
- FULL RANGE DIMMER CONTROL OF LIGHT SOURCE
- 16 ft. [4.8 m] PIGTAILED (FLYING LEAD) OUTPUT CABLE TO LIGHT SOURCE
- TIMER NOT AVAILABLE

NOTES:

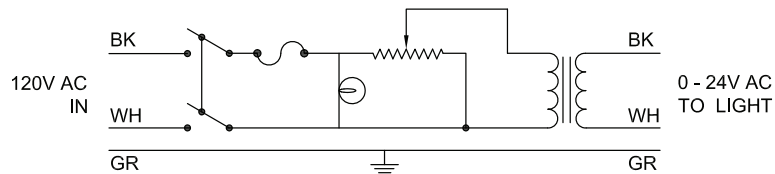
1. ALL INFORMATION SUBJECT TO CHANGE WITHOUT NOTICE



FRONT



SIDE



WIRING SCHEMATIC

<p>NOTICE THIS DRAWING IS THE PROPERTY OF J.M. CANTY AND MUST BE RETURNED WITHOUT REPRODUCTION OR DUPLICATION AT ANY TIME UPON REQUEST, BUT IN ANY EVENT AS SOON AS IT HAS SERVED THE PURPOSE FOR WHICH IT WAS FURNISHED, WHILE IN THE POSSESSION OF THE RECIPIENT, IT MUST BE PROPERLY SAFEGUARDED AGAINST DISCLOSURE TO ANYONE EXCEPT THOSE EMPLOYEES WHO REQUIRE IT FOR WORK OR JOB. THE RECIPIENT MUST KEEP CONFIDENTIAL AND REQUIRE HIS (HER) EMPLOYEES TO KEEP CONFIDENTIAL THE INFORMATION CONTAINED HERE ON.</p>	<p>DRAWN BY GKW</p>	<p>DATE 21-SEP-07</p>	<p>J.M. CANTY INC. 6100 DONNER RD. BUFFALO, N.Y. 14094 U.S.A.</p>	<p>CANTY WWW.JMCANTY.COM</p>	<p>J.M. CANTY INTL. LTD. BALLYCOOLIN BUS. PK. BLANCHARDSTOWN DUBLIN 15, IRELAND</p>	
	<p>APPROVAL JD</p>	<p>DATE 09-NOV-07</p>	<p>TITLE POWER SUPPLY SPECIFICATIONS, P/N LD4519-2, MODEL HYL 80-1SDO (120V)</p>			
	<p>ENGINEERING ANALYSIS CURRENT</p>	<p>MFG. APPROVAL PENDING</p>	<p>DATE</p>	<p>SIZE C</p>	<p>REVISION 0</p>	<p>FILE NAME C10824</p>
	<p>QUALITY CONTROL I.O.A.</p>	<p>DATE</p>	<p>SCALE N.T.S.</p>	<p>SHEET 1 OF 1</p>		