

TERMINAL BLOCK	
POSITION	FUNCTION
1	120V AC (HOT) INPUT
2	120V AC (COM) INPUT
3	GROUND INPUT
4	NO CONNECTION
5	AC (HOT) OUTPUT
6	AC (COM) OUTPUT
7	GROUND OUTPUT

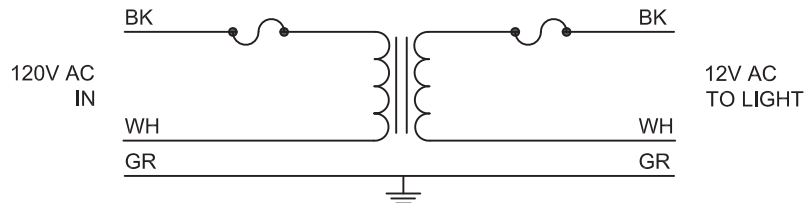
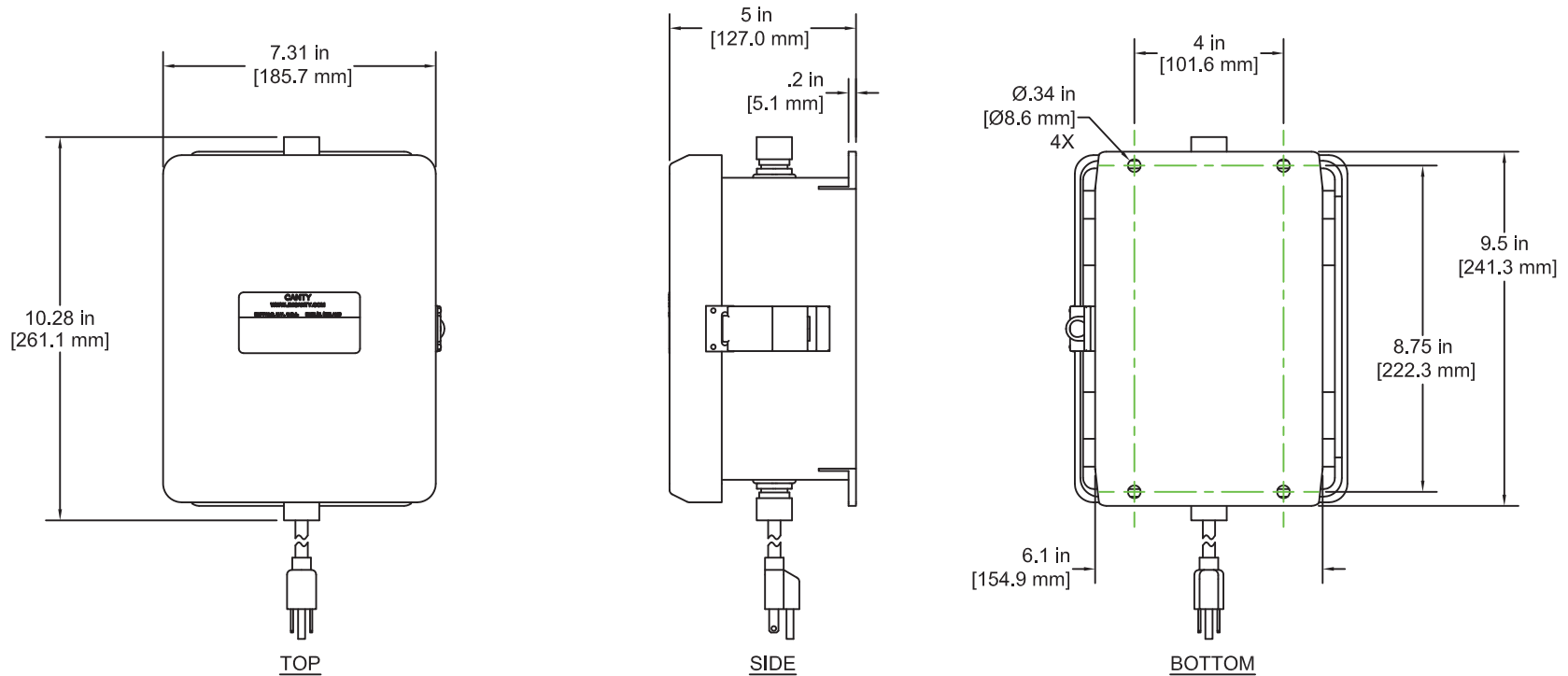
SPECIFICATIONS	
P/N	LC6177-1
MODEL	HYL 52-1CT-WP (120V)
INPUT VOLTAGE	120V AC, 50/60 Hz
OUTPUT VOLTAGE	12V AC
POWER REQUIREMENT	50 VA
TIMER	NO

FEATURES

- FIBERGLASS ENCLOSURE, WEATHER PROOF RATED, NEMA 4X / IP66
- INTERNAL TERMINAL BLOCK FOR OUTPUT CONNECTIONS

NOTES:

1. ALL INFORMATION SUBJECT TO CHANGE WITHOUT NOTICE



WIRING SCHEMATIC

<p>NOTICE THIS DRAWING IS THE PROPERTY OF J.M. CANTY AND MUST BE RETURNED WITHOUT REPRODUCTION OR DUPLICATION, AT ANY TIME UPON REQUEST, BUT IN ANY EVENT AS SOON AS IT HAS SERVED THE PURPOSE FOR WHICH IT WAS FURNISHED, WHILE IN THE POSSESSION OF THE RECIPIENT, IT MUST BE PROPERLY SAFEGUARDED AGAINST DISCLOSURE TO ANYONE EXCEPT THOSE EMPLOYEES WHO REQUIRE IT FOR WORK OR JOB. THE RECIPIENT MUST KEEP CONFIDENTIAL AND REQUIRE HIS (HER) EMPLOYEES TO KEEP CONFIDENTIAL THE INFORMATION CONTAINED HERE ON.</p>		<p>DRAWN BY GKW</p> <p>APPROVAL JD</p> <p>ENGINEERING ANALYSIS CURRENT</p> <p>MFG. APPROVAL PENDING</p> <p>QUALITY CONTROL I.O.A.</p>	<p>DATE 01-NOV-07</p> <p>DATE 09-NOV-07</p> <p>DATE</p> <p>DATE</p> <p>DATE</p>	<p>J.M. CANTY INC. 6100 DONNER RD. BUFFALO, N.Y. 14094 U.S.A.</p> <p>CANTY WWW.JMCANTY.COM</p> <p>J.M. CANTY INTL. LTD. BALLYCOOLIN BUS, PK. BLANCHARDSTOWN DUBLIN 15, IRELAND</p>	<p>TITLE POWER SUPPLY SPECIFICATIONS, P/N LC6177-1, MODEL HYL 52-1CT-WP (120V)</p> <p>SIZE REVISION C 0</p> <p>SCALE N.T.S.</p>	<p>FILE NAME C10950</p>
<p>SHEET 1 OF 1</p>						