



TERMINAL BLOCK	
POSITION	FUNCTION
1	230V AC (L) INPUT
2	230V AC (N) INPUT
3	EARTH INPUT
4	EARTH OUTPUT
5	12V AC (N) OUTPUT
6	12V AC (L) OUTPUT

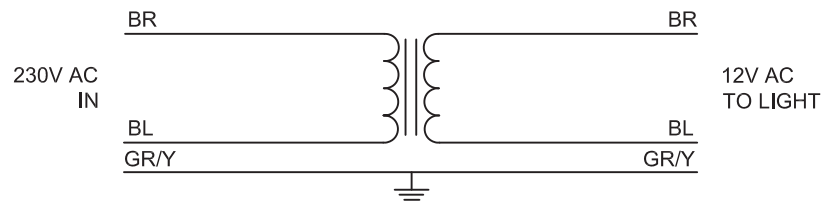
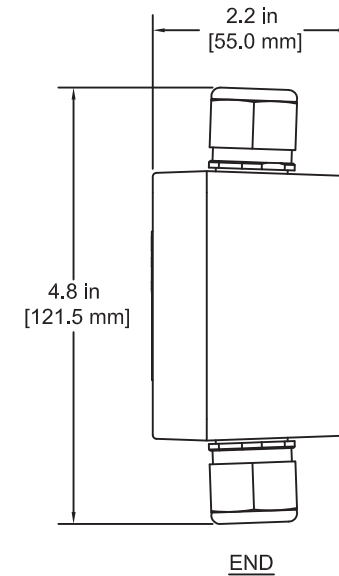
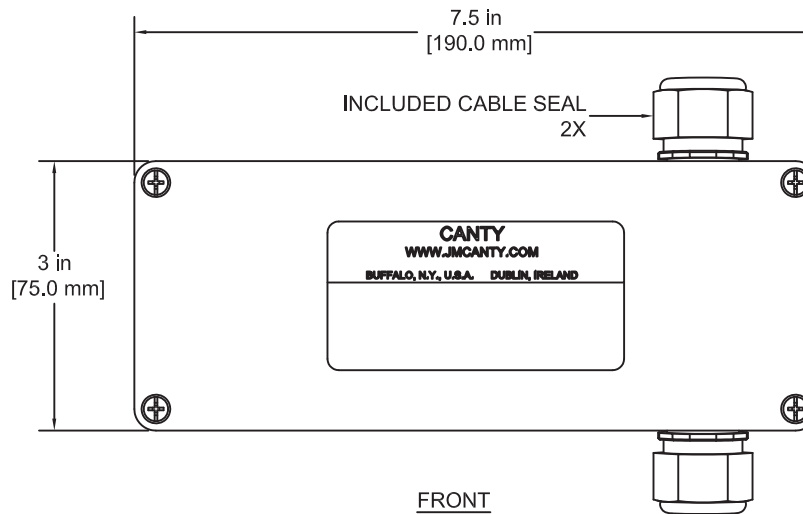
SPECIFICATIONS	
P/N	LC10513-100
MODEL	HYL 52-1CT-IP (230V)
INPUT VOLTAGE	230V AC, 50/60 Hz
OUTPUT VOLTAGE	12V AC
POWER REQUIREMENT	50 VA
TIMER	NO

FEATURES

- FIBERGLASS ENCLOSURE, WEATHER PROOF RATED, IP66
- INTERNAL TERMINAL BLOCK FOR INPUT, OUTPUT CONNECTIONS
- CABLE SEALS INCLUDED

NOTES:

1. ALL INFORMATION SUBJECT TO CHANGE WITHOUT NOTICE



WIRING SCHEMATIC

<p>NOTICE</p> <p>THIS DRAWING IS THE PROPERTY OF J.M. CANTY AND MUST BE RETURNED WITHOUT REPRODUCTION OR DUPLICATION, AT ANY TIME UPON REQUEST, BUT IN ANY EVENT AS SOON AS IT HAS SERVED THE PURPOSE FOR WHICH IT WAS FURNISHED, WHILE IN THE POSSESSION OF THE RECIPIENT, IT MUST BE PROPERLY SAFEGUARDED AGAINST DISCLOSURE TO ANYONE EXCEPT THOSE EMPLOYEES WHO REQUIRE IT FOR WORK OR JOB. THE RECIPIENT MUST KEEP CONFIDENTIAL AND REQUIRE HIS (HER) EMPLOYEES TO KEEP CONFIDENTIAL THE INFORMATION CONTAINED HERE ON.</p>		<p>DRAWN BY</p> <p>GKW</p>	<p>DATE</p> <p>02-NOV-07</p>	<p>J.M. CANTY INC.</p> <p>6100 DONNER RD.</p> <p>BUFFALO, N.Y., 14094</p> <p>U.S.A.</p>	<p>CANTY</p> <p>WWW.JMCANTY.COM</p>	<p>J.M. CANTY INTL. LTD.</p> <p>BALLYCOOLIN BUS, PK.</p> <p>BLANCHARDSTOWN</p> <p>DUBLIN 15, IRELAND</p>
<p>APPROVAL</p> <p>JD</p>	<p>DATE</p> <p>09-NOV-07</p>	<p>ENGINEERING ANALYSIS</p> <p>CURRENT</p>		<p>DATE</p>	<p>TITLE</p> <p>POWER SUPPLY SPECIFICATIONS, P/N LC10513-100, MODEL HYL 52-1CT-IP (230V)</p>	
<p>MFG. APPROVAL</p> <p>PENDING</p>	<p>DATE</p>	<p>QUALITY CONTROL</p> <p>I.O.A.</p>	<p>DATE</p>	<p>SIZE</p> <p>C 0</p>	<p>REVISION</p>	<p>FILE NAME</p> <p>C10952</p>
				<p>SCALE</p> <p>N.T.S.</p>	<p>SHEET 1 OF 1</p>	