



SPECIFICATIONS

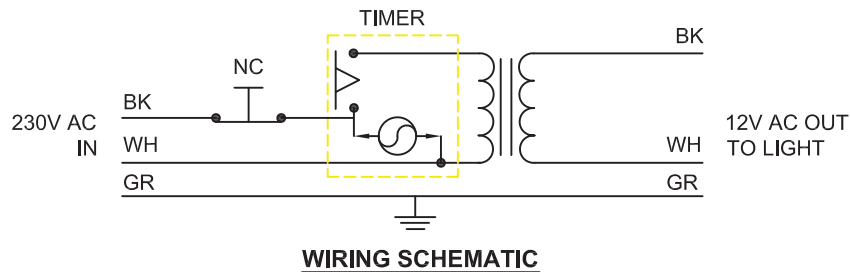
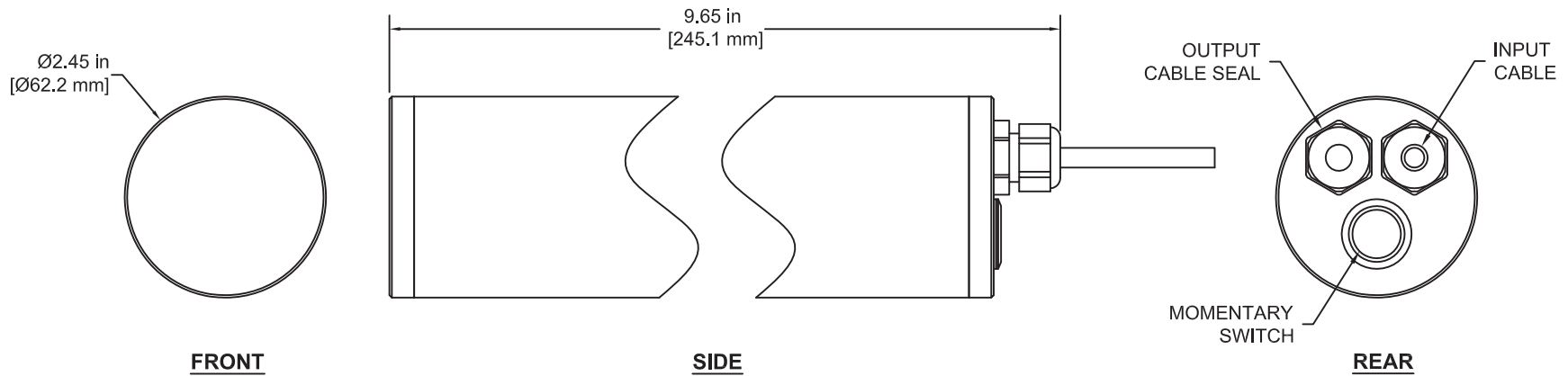
P/N	LC10753-100
MODEL	HYL 52-INT-SS-WP/IP (230V)
INPUT VOLTAGE	230V AC, 50/60 Hz
OUTPUT VOLTAGE	12V AC
POWER REQUIREMENT	50 VA
TIMER	30 SEC. TO 6 MIN.

FEATURES

- 316L S.S. HOUSING POWER SUPPLY, WEATHER PROOF / IP67
- FULLY ADJUSTABLE SHUTOFF TIMER INCLUDED
- 16 ft. [4.8 m] PIGTAILED (FLYING LEAD) INPUT CABLE
- CABLE SEAL PROVIDED FOR OUTPUT CABLE TO LIGHT SOURCE

NOTES:

1. ALL INFORMATION SUBJECT TO CHANGE WITHOUT NOTICE.
2. REFERENCE FILE TD10811-200 FOR MOUNTING BRACKET OPTIONS.



<p>NOTICE</p> <p>THIS DRAWING IS THE PROPERTY OF J.M. CANTY AND MUST BE RETURNED WITHOUT REPRODUCTION OR DUPLICATION. AT ANY TIME UPON REQUEST, BUT IN ANY EVENT AS SOON AS IT HAS SERVED THE PURPOSE FOR WHICH IT WAS FURNISHED, WHILE IN THE POSSESSION OF THE RECIPIENT, IT MUST BE PROPERLY SAFEGUARDED AGAINST DISCLOSURE TO ANYONE EXCEPT THOSE EMPLOYEES WHO REQUIRE IT FOR WORK OR JOB. THE RECIPIENT MUST KEEP CONFIDENTIAL AND REQUIRE HIS (HER) EMPLOYEES TO KEEP CONFIDENTIAL THE INFORMATION CONTAINED HERE ON.</p>	DRAWN BY	DATE	<p>J.M. CANTY INC. 6100 DONNER RD. BUFFALO, N.Y. 14094 U.S.A.</p>	<p>CANTY WWW.JMCANTY.COM</p>	<p>J.M. CANTY INTL. LTD. BALLYCOOLIN BUS. PK. BLANCHARDSTOWN DUBLIN 15, IRELAND</p>	
	GKW	05-NOV-07				
	APPROVAL	DATE	TITLE			
	JD	09-NOV-07	POWER SUPPLY SPECIFICATIONS, P/N LC10753-100, HYL 52-INT-SS-WP/IP (230V)			
	ENGINEERING ANALYSIS	DATE	SIZE	REVISION	FILE NAME	
CURRENT		C	0	C10955		
MFG. APPROVAL	DATE	SCALE				
PENDING		N.T.S.				
QUALITY CONTROL	DATE					
I.O.A.		SHEET 1 OF 1				