

TERMINAL BLOCK	
POSITION	FUNCTION
1	120V AC (HOT) INPUT
2	120V AC (COM) INPUT
3	GROUND INPUT
4	NO CONNECTION
5	0-120V AC (HOT) OUTPUT
6	0-120V AC (COM) OUTPUT
7	GROUND OUTPUT

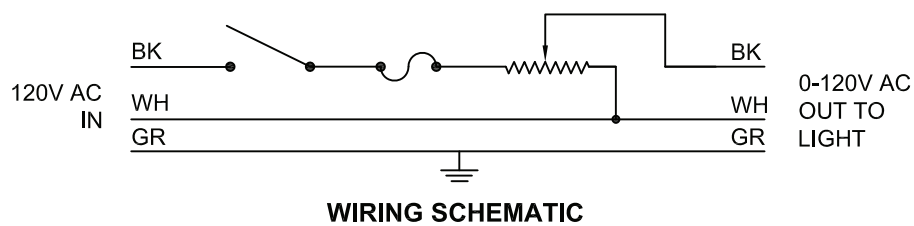
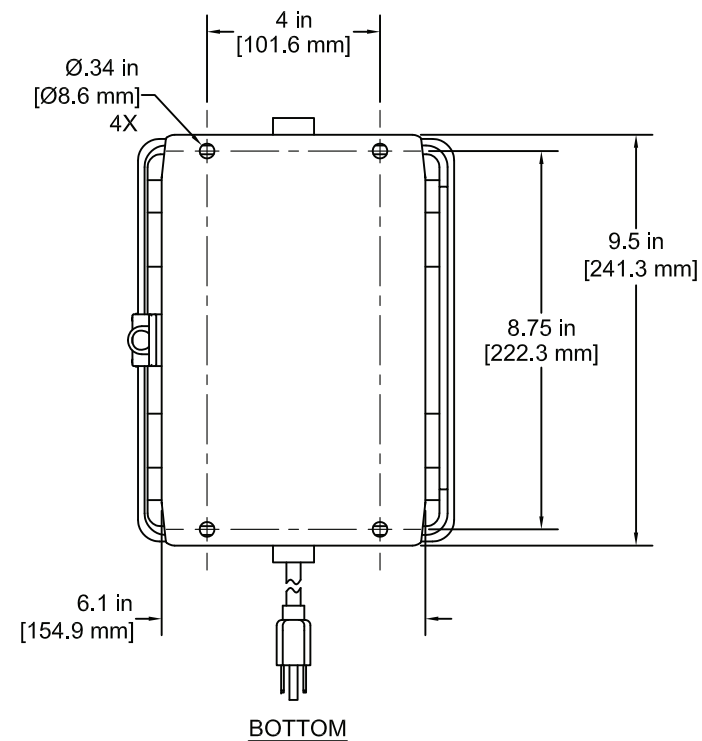
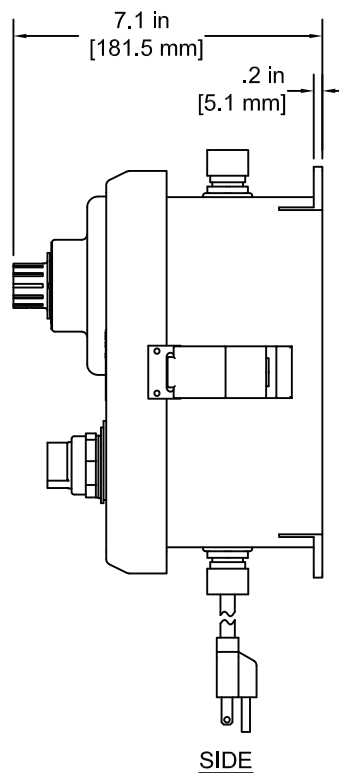
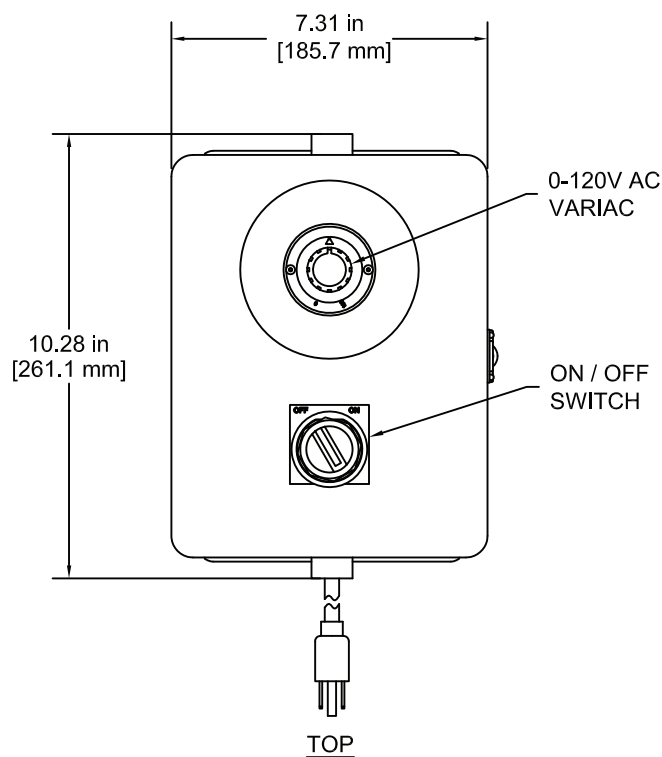
SPECIFICATIONS	
P/N	LD11052-100
MODEL	HYL 80-1SRDO-WP (120V)
INPUT VOLTAGE	120V AC 50/60 Hz
OUTPUT VOLTAGE	0-120V AC
POWER REQUIREMENT	80 VA
TIMER	NO

FEATURES

- NEMA TYPE 4X / IP66 ENCLOSURE
- FULL RANGE DIMMER CONTROL OF LIGHT SOURCE
- 16 ft. [4.8m] PIGTAILED (FLYING LEAD) OUTPUT CABLE TO LIGHT SOURCE
- TIMER NOT AVAILABLE

NOTES:

1. ALL INFORMATION SUBJECT TO CHANGE WITHOUT NOTICE



NOTICE
THIS DRAWING IS THE PROPERTY OF J.M. CANTY AND MUST BE RETURNED WITHOUT REPRODUCTION OR DUPLICATION, AT ANY TIME UPON REQUEST, BUT IN ANY EVENT AS SOON AS IT HAS SERVED THE PURPOSE FOR WHICH IT WAS FURNISHED, WHILE IN THE POSSESSION OF THE RECIPIENT, IT MUST BE PROPERLY SAFEGUARDED AGAINST DISCLOSURE TO ANYONE EXCEPT THOSE EMPLOYEES WHO REQUIRE IT FOR WORK OR JOB. THE RECIPIENT MUST KEEP CONFIDENTIAL AND REQUIRE HIS (HER) EMPLOYEES TO KEEP CONFIDENTIAL THE INFORMATION CONTAINED HERE ON.

DRAWN BY	DATE	J.M. CANTY INC. 6100 DONNER RD. BUFFALO, N.Y. 14094 U.S.A.	CANTY WWW.JMCANTY.COM	J.M. CANTY INTL. LTD. BALLYCOOLIN BUS. PK. BLANCHARDSTOWN DUBLIN 15, IRELAND
GKW	04-MAY-08			
APPROVAL	DATE	TITLE POWER SUPPLY SPECIFICATIONS, P/N LD11052-100, MODEL HYL 80-1SRDO-WP (120V)		
JD	05-MAY-08			
ENGINEERING ANALYSIS	DATE			
CURRENT				
MFG. APPROVAL	DATE	SIZE	REVISION	FILE NAME
PENDING		C	0	C11053
QUALITY CONTROL	DATE	SCALE	N.T.S.	
I.O.A.				SHEET 1 OF 1