

TERMINAL BLOCK	
POSITION	FUNCTION
1	120V AC (HOT) INPUT
2	120V AC (COM) INPUT
3	NO CONNECTION
4	NO CONNECTION
5	120V AC (HOT) OUTPUT
6	120V AC (COM) OUTPUT
7	NO CONNECTION

ENCLOSURE INCLUDES AN INTERNAL GROUND FASTENER

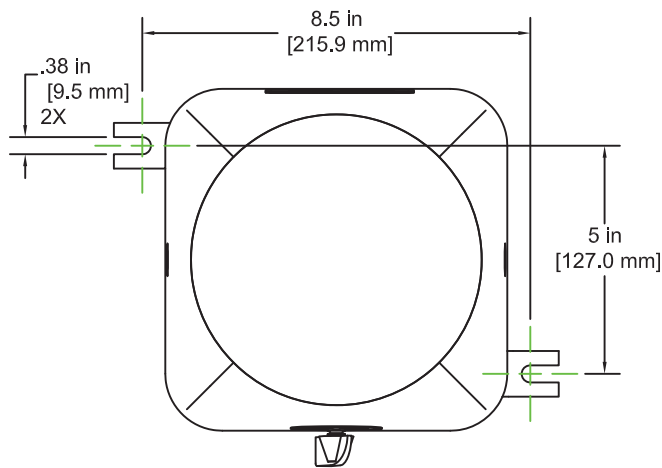
SPECIFICATIONS	
P/N	VC10944-100
MODEL	HYL 80-1SRDO-EXP (120V)
INPUT VOLTAGE	120V AC, 50/60 Hz
OUTPUT VOLTAGE	0 - 120V AC
POWER REQUIREMENT	80 VA
TIMER	NO

**FEATURES**

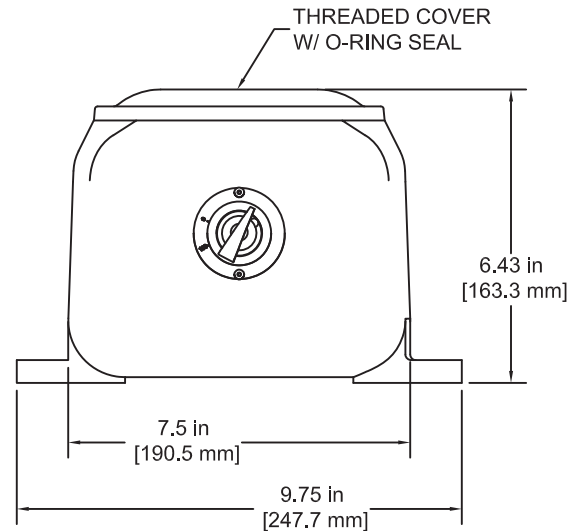
- EXPLOSION PROOF CLASS 1, DIV. 1, GROUPS B, C & D
- WEATHER PROOF NEMA TYPE 4
- FULL RANGE DIMMER CONTROL OF LIGHT INTENSITY
- TIMER NOT AVAILABLE

**NOTES:**

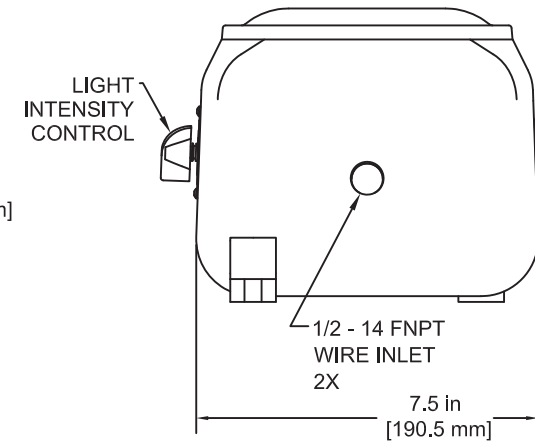
1. ALL INFORMATION SUBJECT TO CHANGE WITHOUT NOTICE



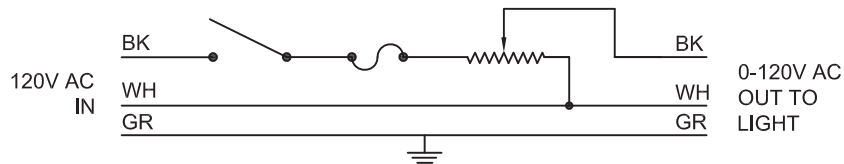
TOP



FRONT



RIGHT SIDE



**WIRING SCHEMATIC**

NOTICE  
THIS DRAWING IS THE PROPERTY OF J.M. CANTY AND MUST BE RETURNED WITHOUT REPRODUCTION OR DUPLICATION, AT ANY TIME UPON REQUEST, BUT IN ANY EVENT AS SOON AS IT HAS SERVED THE PURPOSE FOR WHICH IT WAS FURNISHED, WHILE IN THE POSSESSION OF THE RECIPIENT, IT MUST BE PROPERLY SAFEGUARDED AGAINST DISCLOSURE TO ANYONE EXCEPT THOSE EMPLOYEES WHO REQUIRE IT FOR WORK OR JOB. THE RECIPIENT MUST KEEP CONFIDENTIAL AND REQUIRE HIS (HER) EMPLOYEES TO KEEP CONFIDENTIAL THE INFORMATION CONTAINED HERE ON.

DRAWN BY	DATE
GKW	10-JUL-08
APPROVAL	DATE
JD	16-JUL-08
ENGINEERING ANALYSIS	DATE
CURRENT	
MFG. APPROVAL	DATE
PENDING	
QUALITY CONTROL	DATE
I.O.A.	

J.M. CANTY INC. 6100 DONNER RD. BUFFALO, N.Y. 14094 U.S.A.	<b>CANTY</b> WWW.JMCANTY.COM
TITLE POWER SUPPLY SPECIFICATIONS, P/N VC10944-100, MODEL HYL 80-1SRDO-EXP (120V)	
SIZE REVISION C 0	FILE NAME C11074
SCALE N.T.S.	

J.M. CANTY INTL. LTD. BALLYCOOLIN BUS, PK. BLANCHARDSTOWN DUBLIN 15, IRELAND
SHEET 1 OF 1