

CANTY

5+ YEAR LIFE
HIGH INTENSITY
UNIFORM WHITE LIGHT
OUTPUT, MAINTENANCE-
FREE!

PROCESS TECHNOLOGY

HYL 80 SERIES LED Fiber Optic Flex Bundle Lighting Systems



HOW IT WORKS - LED

Canty LED fiber optic lighting systems have been designed to provide efficient, high output, cool light in a maintenance-free package. Conventional methods of lighting through a sightglass are ineffective since a majority of the light is reflected off of the sightglass. Canty uses only high quality, flexible fiber optic light pipes to fiber-optically guide the light from our light source through a sightglass or process connection. The LED light is focused and transmitted into the fiber optic light pipe and guided through the sightglass, minimizing losses while maximizing your tank or vessel lighting!

LIGHTING PACKAGES

Our flexible bundle lighting systems are available with a variety of high quality Canty lights and process connections. We offer both weather proof and explosion proof/flame proof lights with a variety of power supply options and mounting connections to meet all of your process needs.

Our flexible bundle lighting systems are designed to work with any sightglass, whether it's your existing sightglass or a Canty safety Fuseview™ sightglass. We offer many standard sightglass mounting connections to easily illuminate one, two or three sightglasses using only one Canty light.

SPECIFICATIONS

Fiber Optic Bundle

Construction: Multi-fiber glass bundle
Exterior: Single-leg: crush resistant outer tubing
Multi-leg: silicone tubing
Termination: Stainless steel, .75" diameter. 205° max. at tip
Configuration: Single, two or three leg bundles are available
Lengths: 12" - 144" lengths are available.
Consult factory for additional sizes.

Lighting Systems

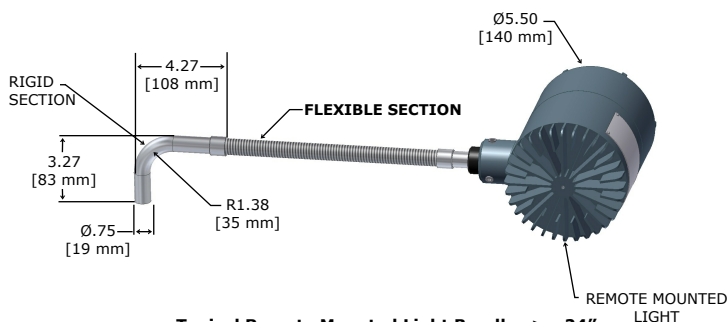
- LED lights are available to cover all your process requirements
- Weather proof, explosion proof, flameproof, and IP66 models are available
- Canty offers a variety of switches to best suit the needs of your application

MOUNTING CONNECTIONS

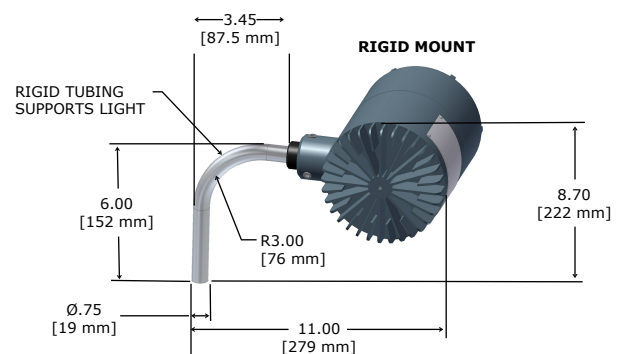
- Sightglass mount-universal mounting bracket is designed to function with any flange mounted sightglass. Standard brackets are constructed of aluminum or SS.
- NPT mounting connection - flexible bundle may connect to vessel using a 1" NPT threaded connection. Available in 316L SS, Hastelloy® or equal or glass wetted materials
- Tri-Clamp®-sanitary vessel connection. Ideal for pharmaceutical or food grade applications

FEATURES

- Flexible fiber optic light bundle provides a high intensity light output
- NEMA 4, IP66, Explosion proof (Class I, Div. 1, Groups B, C & D, Class II, Div. 1, Groups E, F & G) or Flameproof Eex d IIC T6 light options
- Brighter than former 80W Halogen lights
- Low power consumption, 16-20W
- Fused glass seal provides a safe, reliable, hermetic seal between electronics and the process area
- Maintenance-free, 5+ year life on LED, no bulbs to change.
- Canty lights provide the maximum illumination possible
- Cool light output - there is no product bake-on



Typical Remote Mounted Light Bundles >= 24"



Typical 12" Direct Mount Light Bundle Models

CANTY JM Canty Inc Buffalo, NY USA
JM Canty Intl Ltd Dublin, Ireland

Ph: (716) 625 4227
Ph: + 353 (01) 882 9621

Fax: (716) 625 4228
Fax: +353 (01) 882 9622

Ordering Information

HOW TO ORDER: Select the appropriate symbols and build a part number as shown.

Recommended options are listed in bold.

EXAMPLE:

H E U 7 0 S - LED

<div style="border: 1px solid black; padding: 5px; margin-bottom: 5px;"> <p style="text-align: center; background-color: #d3d3d3; margin: 0;">LIGHT SOURCE SELECTION</p> <table style="width: 100%; border: none;"> <tr> <td style="width: 50%; border: none; vertical-align: top;"> <p><i>Weather Proof (WP) / IP Lights</i></p> <p style="text-align: center;"><i>120V / 230V Models</i></p> <p>EM - 120V AC input direct to light. WP rating, .25A</p> <p>E1 - 230V AC input direct to light. IP rating, .25A</p> <p style="text-align: center;"><i>24V Models</i></p> <p>HB- 24V DC Input direct to light. WP rating, 1A</p> <p>E9- 24V DC Input direct to light. IP rating, 1A</p> </td> <td style="width: 50%; border: none; vertical-align: top;"> <p><i>Explosion Proof (EXP) / ATEX Flame Proof (FP) Lights</i></p> <p style="text-align: center;"><i>120V / 230V Models</i></p> <p>HE - 120V AC input direct to light. EXP rating, .25A</p> <p>E7 - 230V AC input direct to light. ATEX FP rating, .25A</p> <p style="text-align: center;"><i>24V Models</i></p> <p>HD - 24V DC Input direct to light. EXP rating, 1A</p> <p>E6 - 24V DC Input direct to light. ATEX FP rating, 1A</p> </td> </tr> </table> </div>	<p><i>Weather Proof (WP) / IP Lights</i></p> <p style="text-align: center;"><i>120V / 230V Models</i></p> <p>EM - 120V AC input direct to light. WP rating, .25A</p> <p>E1 - 230V AC input direct to light. IP rating, .25A</p> <p style="text-align: center;"><i>24V Models</i></p> <p>HB- 24V DC Input direct to light. WP rating, 1A</p> <p>E9- 24V DC Input direct to light. IP rating, 1A</p>	<p><i>Explosion Proof (EXP) / ATEX Flame Proof (FP) Lights</i></p> <p style="text-align: center;"><i>120V / 230V Models</i></p> <p>HE - 120V AC input direct to light. EXP rating, .25A</p> <p>E7 - 230V AC input direct to light. ATEX FP rating, .25A</p> <p style="text-align: center;"><i>24V Models</i></p> <p>HD - 24V DC Input direct to light. EXP rating, 1A</p> <p>E6 - 24V DC Input direct to light. ATEX FP rating, 1A</p>	<div style="border: 1px solid black; padding: 5px; margin-bottom: 5px;"> <p style="text-align: center; background-color: #d3d3d3; margin: 0;">BUNDLE MATERIAL</p> <p>S = 304 SS Sheathing P = Polyolefin Sheathing Over 304 SS See note 4.</p> </div> <div style="border: 1px solid black; padding: 5px; margin-bottom: 5px;"> <p style="text-align: center; background-color: #d3d3d3; margin: 0;">BUNDLE LENGTH</p> <p>0 - 12" Rigid Bundle 1 - 24" Flex Bundle 2 - 36" Flex Bundle 3 - 48" Flex Bundle 4 - 60" Flex Bundle 5 - 72" Flex Bundle 8 - 96" Flex Bundle A - 120" Flex Bundle C - 144" Flex Bundle</p> </div> <div style="border: 1px solid black; padding: 5px;"> <p style="text-align: center; background-color: #d3d3d3; margin: 0;">BUNDLE SELECTION</p> <p>7 - Single Leg Bundle with one 90° Bend at End. 205° C Max at Tip.</p> </div>
<p><i>Weather Proof (WP) / IP Lights</i></p> <p style="text-align: center;"><i>120V / 230V Models</i></p> <p>EM - 120V AC input direct to light. WP rating, .25A</p> <p>E1 - 230V AC input direct to light. IP rating, .25A</p> <p style="text-align: center;"><i>24V Models</i></p> <p>HB- 24V DC Input direct to light. WP rating, 1A</p> <p>E9- 24V DC Input direct to light. IP rating, 1A</p>	<p><i>Explosion Proof (EXP) / ATEX Flame Proof (FP) Lights</i></p> <p style="text-align: center;"><i>120V / 230V Models</i></p> <p>HE - 120V AC input direct to light. EXP rating, .25A</p> <p>E7 - 230V AC input direct to light. ATEX FP rating, .25A</p> <p style="text-align: center;"><i>24V Models</i></p> <p>HD - 24V DC Input direct to light. EXP rating, 1A</p> <p>E6 - 24V DC Input direct to light. ATEX FP rating, 1A</p>		
<p style="text-align: center; background-color: #d3d3d3; margin: 0;">SWITCHES</p> <table style="width: 100%; border: none;"> <tr> <td style="width: 50%; border: none; vertical-align: top;"> <p><i>Weather Proof /IP Light Models:</i></p> <p>U - Customer supplies ON/OFF switch as required. P - NEMA 4X / IP66 enclosure with switch.</p> </td> <td style="width: 50%; border: none; vertical-align: top;"> <p><i>Explosion Proof / Flame Proof Light Models:</i></p> <p>U - Customer supplies ON/OFF switch as required. P - Explosion proof/ATEX FP enclosure with switch.</p> </td> </tr> </table>		<p><i>Weather Proof /IP Light Models:</i></p> <p>U - Customer supplies ON/OFF switch as required. P - NEMA 4X / IP66 enclosure with switch.</p>	<p><i>Explosion Proof / Flame Proof Light Models:</i></p> <p>U - Customer supplies ON/OFF switch as required. P - Explosion proof/ATEX FP enclosure with switch.</p>
<p><i>Weather Proof /IP Light Models:</i></p> <p>U - Customer supplies ON/OFF switch as required. P - NEMA 4X / IP66 enclosure with switch.</p>	<p><i>Explosion Proof / Flame Proof Light Models:</i></p> <p>U - Customer supplies ON/OFF switch as required. P - Explosion proof/ATEX FP enclosure with switch.</p>		

WP = Weather Proof EXP = Explosion Proof FP = Flame Proof IP = Ingress Protection
--

Mounting Brackets - Required to Mount Light to New or Existing Sight Glass. Sold Separately.

12" Fiber Optic Bundle Bracket Options
LC4305-33 2" - 8", 150 # ANSI Sight Glass Mt.

24" and Larger Fiber Optic Bundle Bracket Options
LC4305-60 Universal Flanged Sight Glass Mt. Bkt.

Reference datasheets TD10811-100 and TD10811-200 for details.

Notes :

- 1) Vessel lighting diameter, depth specifications provided are a general guideline for stainless steel tanks with 30° normal beam conical light output option. For blue glass lined reactors, which will absorb visible wavelengths of light, a derating factor of 0.7 is recommended.
- 2) All Explosion Proof lights are rated for use in Class I, Div. 1, Groups B, C and D, Class II, Div. 1, Groups E, F & G as well as NEMA 4 locations. Switch ratings vary with model.
- 3) All ATEX Flame Proof lights are approved for use in EExd II C T6 and IP 66 locations.
- 4) For all models, bundle end fittings are 304L SS for light collector, emitter.
- 5) Explosion proof switch enclosures are rated use in Class I, Div. 1, Groups C and D, Class II, Div. 1, Groups E, F & G locations.



JM Canty Inc	Buffalo, NY USA	Ph: (716) 625 4227	Fax: (716) 625 4228
JM Canty Intl Ltd	Dublin, Ireland	Ph: + 353 (01) 882 9621	Fax: +353 (01) 882 9622

www.jmcanty.com

Document P/N: TA10607-2 Rev. 3

All registered trademarks are the property of their respective owners.