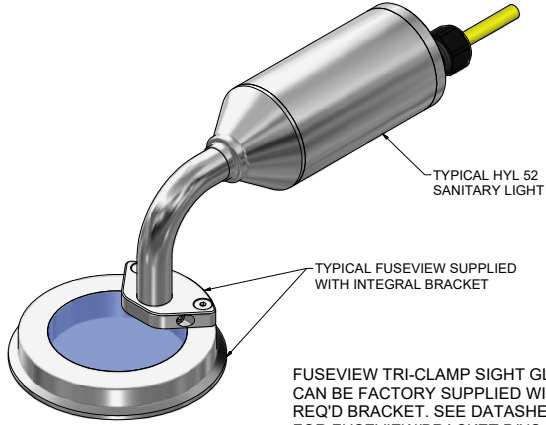


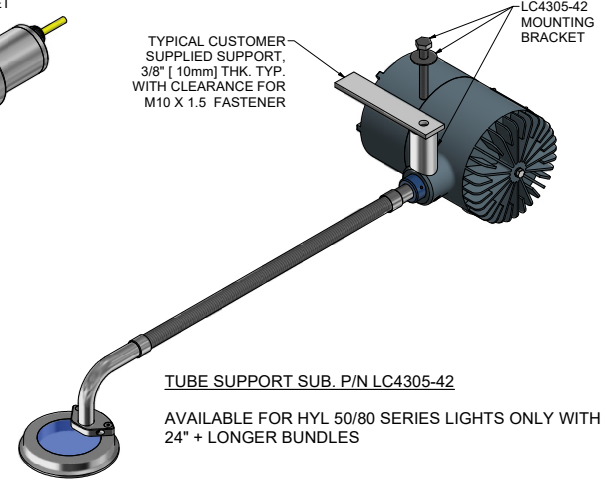
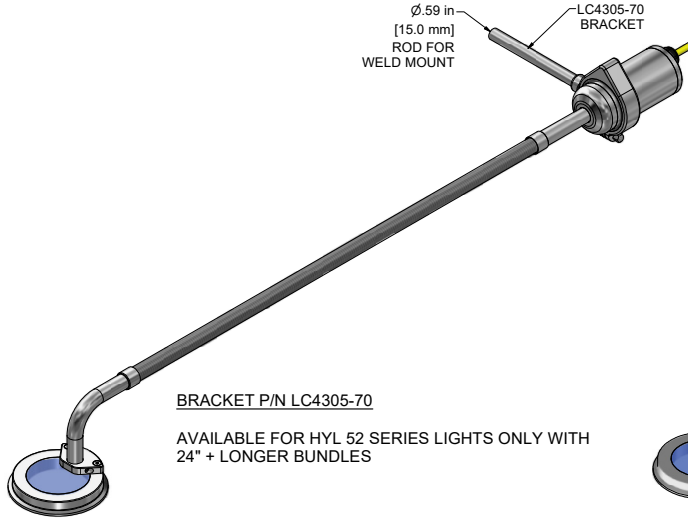
TRI-CLAMP® SANITARY SIGHT GLASS BRACKETS FOR 12" BUNDLE MODELS



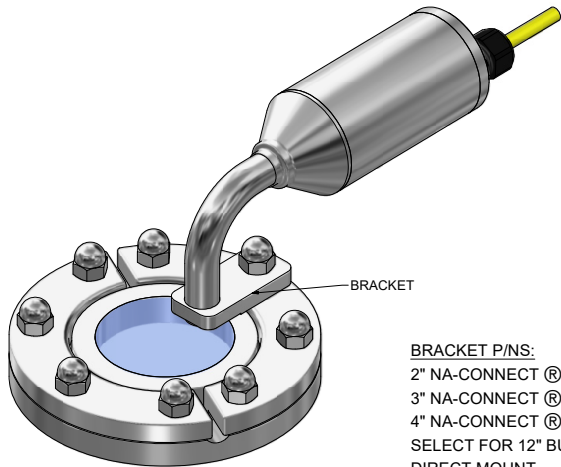
FUSEVIEW TRI-CLAMP SIGHT GLASS CAN BE FACTORY SUPPLIED WITH REQ'D BRACKET. SEE DATASHEET TA7653-1 FOR FUSEVIEW/BRACKET P/NS.

NO ADDITIONAL BRACKET REQ'D FOR 12" BUNDLE. COMPATIBLE WITH ALL MODEL CANTY LIGHTS

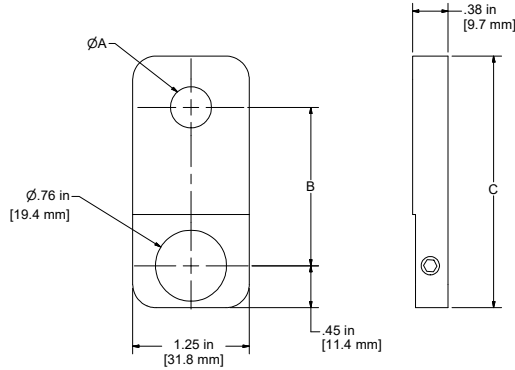
TRI-CLAMP® SANITARY SIGHT GLASS BRACKETS FOR 24" + LONGER BUNDLE MODELS



NA-CONNECT® SANITARY SIGHT GLASS BRACKETS



BRACKET P/NS:
 2" NA-CONNECT® : LC4305-41
 3" NA-CONNECT® : LC4305-43
 4" NA-CONNECT® : LC4305-45
 SELECT FOR 12" BUNDLE DIRECT MOUNT



P/N	A	B	C
LC4305-41	.35 [9mm]	1.31 [33.2mm]	2.06 [52.3mm]
LC4305-43	.35 [9mm]	1.50 [38.1mm]	2.25 [57.2mm]
LC4305-45	.44 [11.1mm]	1.70 [43.2mm]	2.70 [68.8mm]

NOTE: BRACKET LC4305-70 OR TUBE SUPPORT SUB. LC4305-42 CAN ALSO BE PURCHASED IN ADDITION TO MODEL SHOWN ABOVE IF USING A 24" + LONGER BUNDLE FOR REMOTE MOUNTING ON NA-CONNECT® SIGHT GLASSES.

<p>NOTICE</p> <p>THIS DRAWING IS THE PROPERTY OF J.M. CANTY AND MUST BE RETURNED WITHOUT REPRODUCTION OR DUPLICATION AT ANY TIME UPON REQUEST. BUT IN ANY EVENT AS SOON AS IT HAS SERVED THE PURPOSE FOR WHICH IT WAS FURNISHED, WHILE IN THE POSSESSION OF THE RECIPIENT, IT MUST BE PROPERLY SAFEGUARDED AGAINST DISCLOSURE TO ANYONE EXCEPT THOSE EMPLOYEES WHO REQUIRE IT FOR WORK OR JOB. THE RECIPIENT MUST KEEP CONFIDENTIAL AND REQUIRE HIS (HER) EMPLOYEES TO KEEP CONFIDENTIAL THE INFORMATION CONTAINED HERE ON.</p>	<p>IMPORTANT FOR THE REQUIRED MANUFACTURING SPECIFICATIONS SEE DOCUMENT #A4955</p> <p>NOTE: FAILURE TO RECEIVE DOCUMENT DOES NOT WAIVE VENDOR RESPONSIBILITY</p>	DRAWN BY RFM	DATE 26-Apr-07	J.M. CANTY INC. 6100 DONNER RD. BUFFALO, N.Y. 14204 U.S.A. CANTY WWW.JMCANTY.COM	J.M. CANTY INTL. LTD. BALLYCOOLIN BUS. PK. BLANCHARDSTOWN DUBLIN 15, IRELAND	
		APPROVAL RFM	DATE 26-Apr-07			TITLE SANITARY SIGHT GLASS FLEX BUNDLE MOUNTING BRACKET SALES DETAIL
		ENGINEERING ANALYSIS CURRENT	DATE			FILE NAME TD10811-200
		MFG. APPROVAL PENDING	DATE			SCALE AS NOTED
QUALITY CONTROL I.O.A.	DATE	SIZE D 3	REVISION 3	SHEET 1 OF 1		