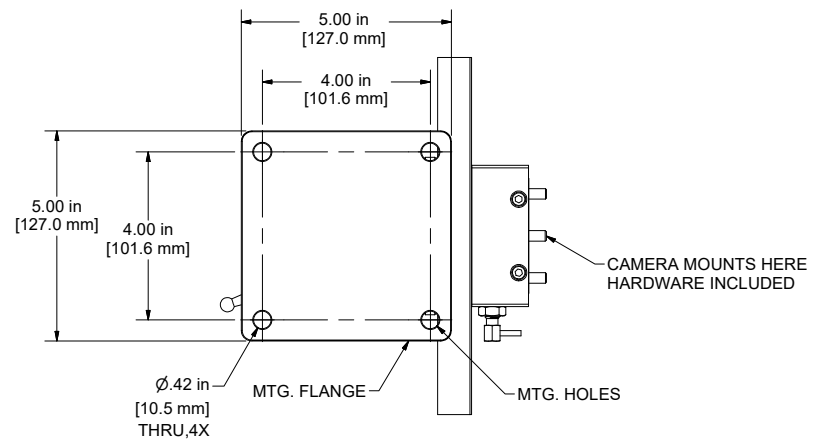
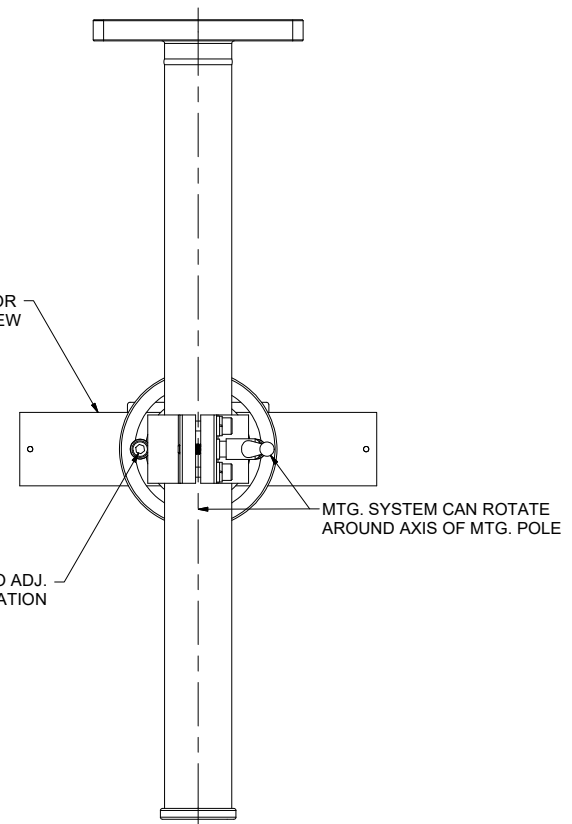
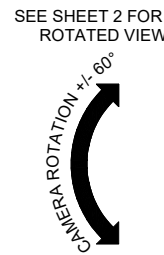


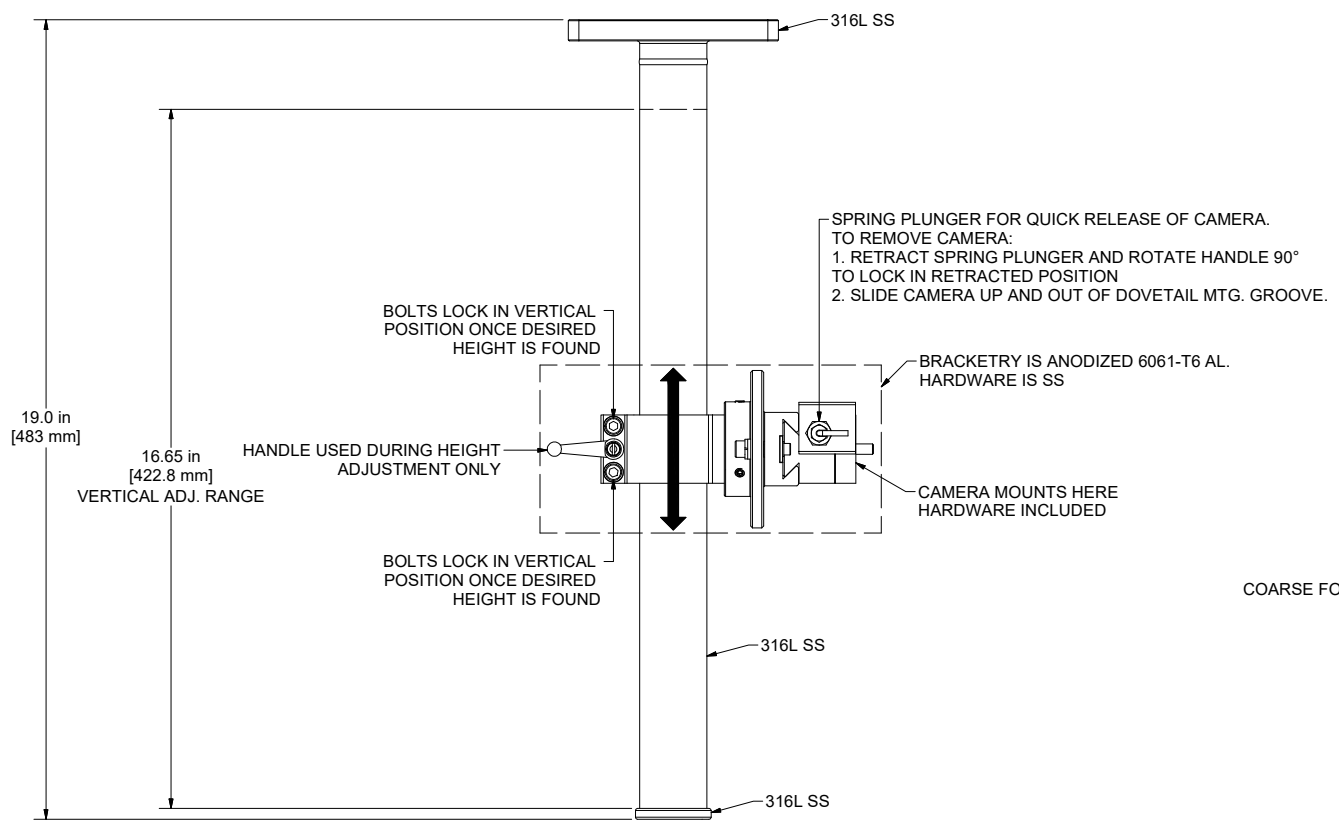
ISOMETRIC VIEW
SCALE .375 : 1



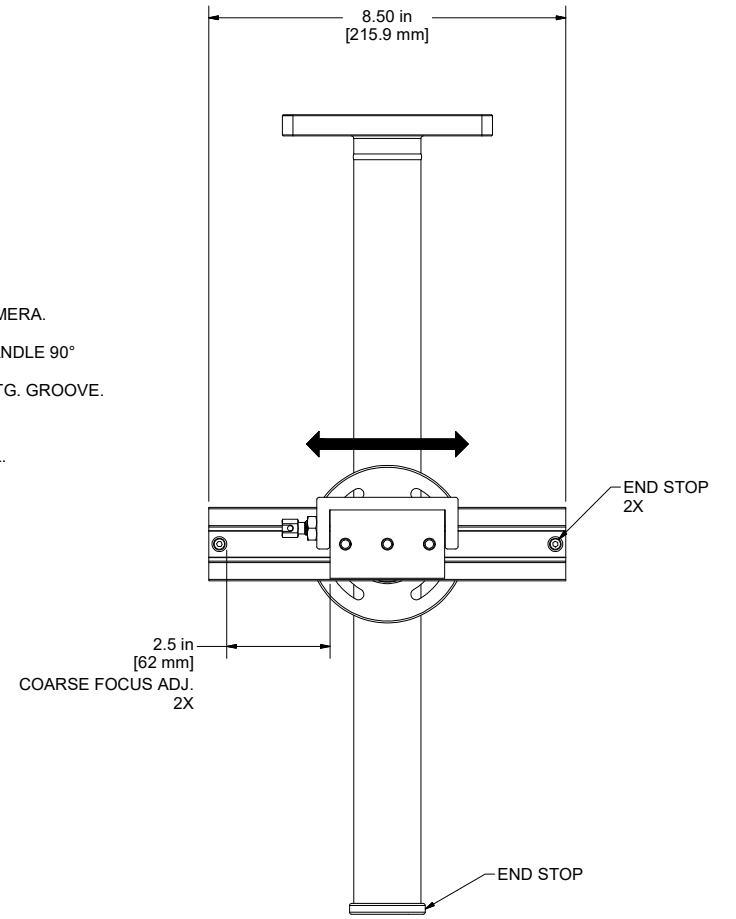
TOP VIEW
SCALE .4375 : 1



LEFT VIEW
SCALE .4375 : 1

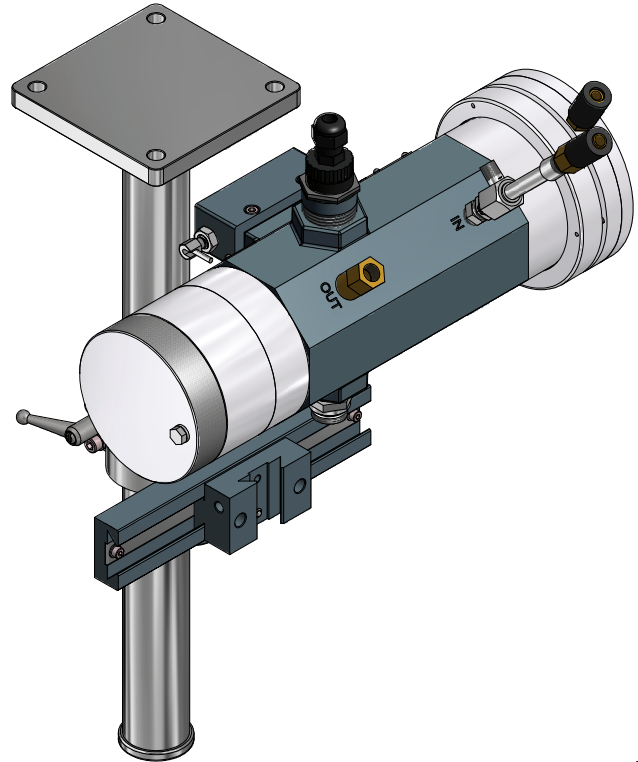


FRONT VIEW
SCALE .4375 : 1

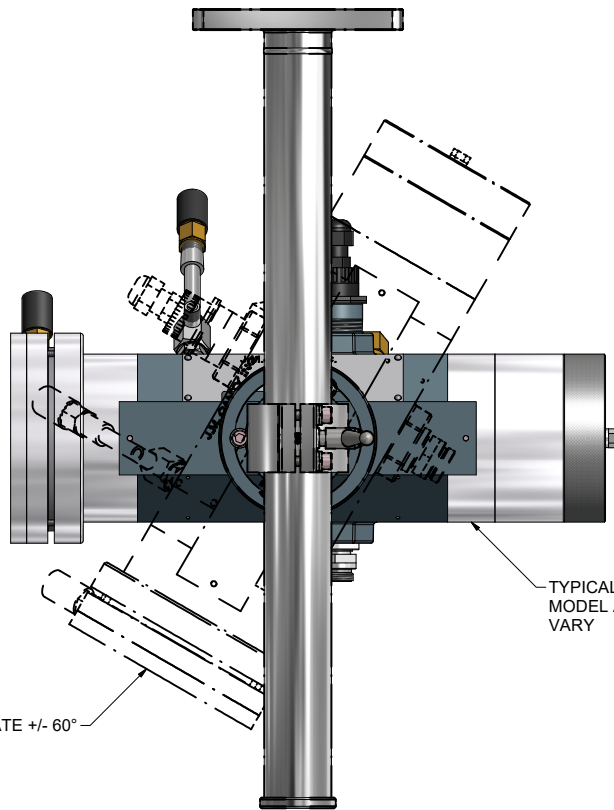


RIGHT VIEW
SCALE .4375 : 1

△	ADDED DIMENSION FROM C.L. OF MTG. POLE TO C.L. OF CAMERA ON SHEET 2	04-MAY-17	DEJ	DEJ
REV	DESCRIPTION	DATE	BY	APRV.
REVISIONS				
NOTICE	IMPORTANT	DRAWN BY	DATE	J.M. CANTY INC. 6100 DONNER RD. BUFFALO, N.Y. 14094 U.S.A. CANTY WWW.JMCANTY.COM J.M. CANTY INTL. LTD. BALLYCOOLIN BUS. PK. BLANCHARDSTOWN DUBLIN 15, IRELAND
THIS DRAWING IS THE PROPERTY OF J.M. CANTY AND MUST BE RETURNED WITHOUT REPRODUCTION OR DUPLICATION, AT ANY TIME UPON REQUEST, BUT IN ANY EVENT AS SOON AS IT HAS SERVED THE PURPOSE FOR WHICH IT WAS FURNISHED. WHILE IN THE POSSESSION OF THE RECIPIENT, IT MUST BE PROPERLY SAFEGUARDED AGAINST DISCLOSURE TO ANYONE EXCEPT THOSE EMPLOYEES WHO REQUIRE IT FOR WORK OR JOB. THE RECIPIENT MUST KEEP CONFIDENTIAL AND REQUIRE HIS (HER) EMPLOYEES TO KEEP CONFIDENTIAL THE INFORMATION CONTAINED HERE ON.	FOR THE REQUIRED MANUFACTURING SPECIFICATIONS SEE DOCUMENT #A4955 NOTE: FAILURE TO RECEIVE DOCUMENT DOES NOT WAIVE VENDOR RESPONSIBILITY	DEJ	09-Feb-17	
		APPROVAL	DATE	
		DEJ	10-Feb-17	
		ENGINEERING ANALYSIS	DATE	
		CURRENT		
MFG. APPROVAL	DATE			
PENDING				
QUALITY CONTROL	DATE			
VJS				
TITLE		REVISION	FILE NAME	
LAYOUT DRAWING, CANTY CAMERA MTG. / ADJ. SYS., W/ QR		1	VD11930-110	
SCALE AS NOTED		SIZE D		SHEET 1 OF 2



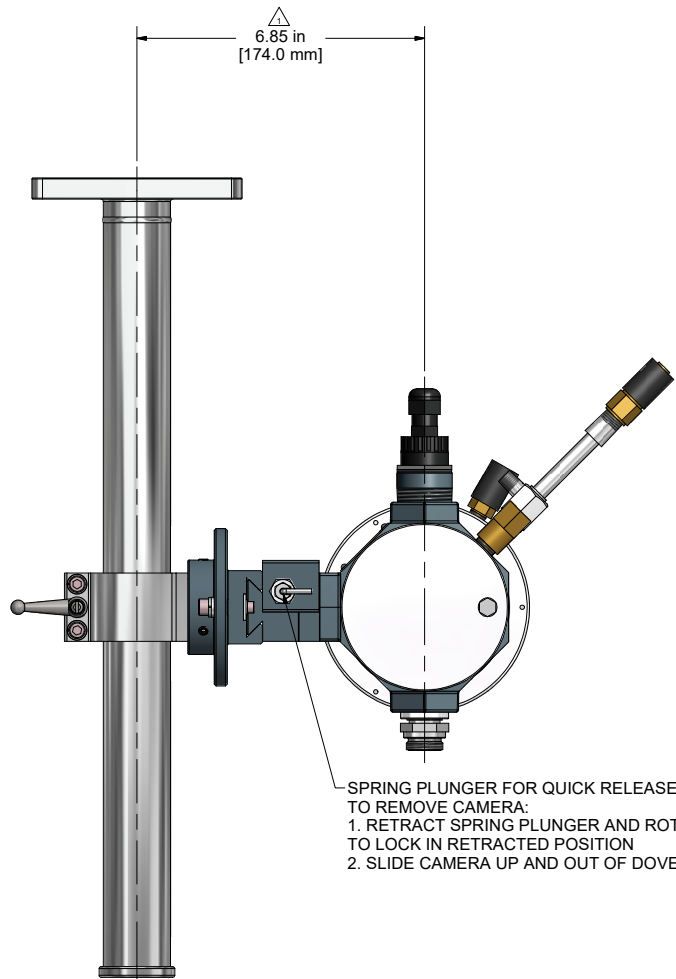
ISOMETRIC VIEW
SCALE .4375 : 1



LEFT VIEW
SCALE .4375 : 1

CAMERA CAN ROTATE +/- 60°

TYPICAL CAMERA SHOWN
MODEL AND OPTIONS MAY VARY

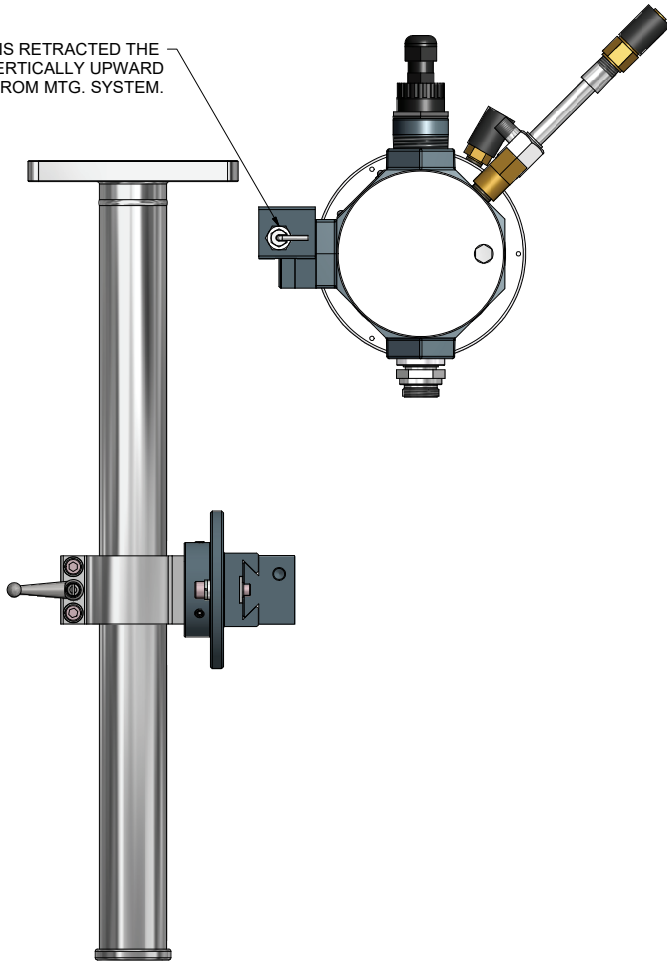


FRONT VIEW
SCALE .4375 : 1

6.85 in
[174.0 mm]

SPRING PLUNGER FOR QUICK RELEASE OF CAMERA.
TO REMOVE CAMERA:
1. RETRACT SPRING PLUNGER AND ROTATE HANDLE 90°
TO LOCK IN RETRACTED POSITION
2. SLIDE CAMERA UP AND OUT OF DOVETAIL MTG. GROOVE.

WHEN SPRING PLUNGER IS RETRACTED THE
CAMERA CAN BE LIFTED VERTICALLY UPWARD
TO BE REMOVED FROM MTG. SYSTEM.



FRONT VIEW
SCALE .4375 : 1
(CAMERA REMOVED)

<p>△ ADDED DIMENSION FROM C.L. OF MTG. POLE TO C.L. OF CAMERA ON SHEET 2</p>		04-MAY-17	DEJ	DEJ
REV	DESCRIPTION	DATE	BY	APRV.
REVISIONS				
<p>NOTICE THIS DRAWING IS THE PROPERTY OF J.M. CANTY AND MUST BE RETURNED WITHOUT REPRODUCTION OR DUPLICATION, AT ANY TIME UPON REQUEST, BUT IN ANY EVENT AS SOON AS IT HAS SERVED THE PURPOSE FOR WHICH IT WAS FURNISHED. WHILE IN THE POSSESSION OF THE RECIPIENT, IT MUST BE PROPERLY SAFEGUARDED AGAINST DISCLOSURE TO ANYONE EXCEPT THOSE EMPLOYEES WHO REQUIRE IT FOR WORK OR JOB. THE RECIPIENT MUST KEEP CONFIDENTIAL AND REQUIRE HIS (HER) EMPLOYEES TO KEEP CONFIDENTIAL THE INFORMATION CONTAINED HERE ON.</p>				
<p>IMPORTANT FOR THE REQUIRED MANUFACTURING SPECIFICATIONS SEE DOCUMENT #A4955</p>				
<p>DRAWN BY DEJ</p>	<p>DATE 09-Feb-17</p>	<p>J.M. CANTY INC. 6100 DONNER RD. BUFFALO, N.Y. 14094 U.S.A.</p>		
<p>APPROVAL DEJ</p>	<p>DATE 10-Feb-17</p>	<p>CANTY WWW.JMCANTY.COM</p>		
<p>ENGINEERING ANALYSIS CURRENT</p>	<p>DATE</p>	<p>TITLE LAYOUT DRAWING, CANTY CAMERA MTG. / ADJ. SYS., W/ QR</p>		
<p>MFG. APPROVAL PENDING</p>	<p>DATE</p>	<p>REVISION 1</p>		
<p>QUALITY CONTROL VJS</p>	<p>DATE</p>	<p>FILE NAME VD11930-110</p>		
<p>SCALE AS NOTED</p>		<p>SIZE D</p>	<p>SHEET 2 OF 2</p>	