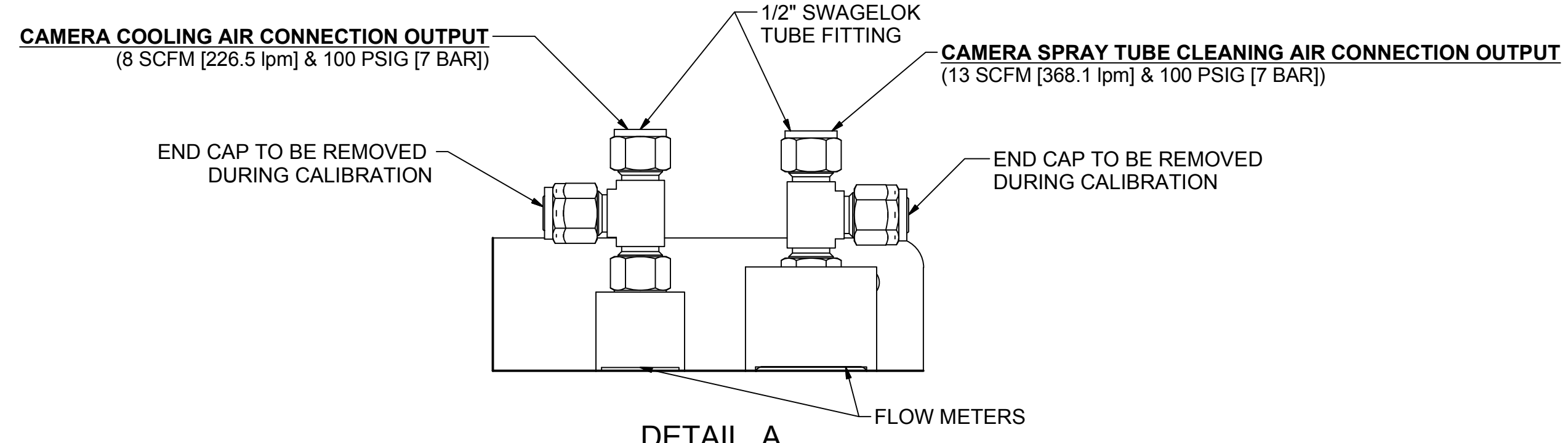
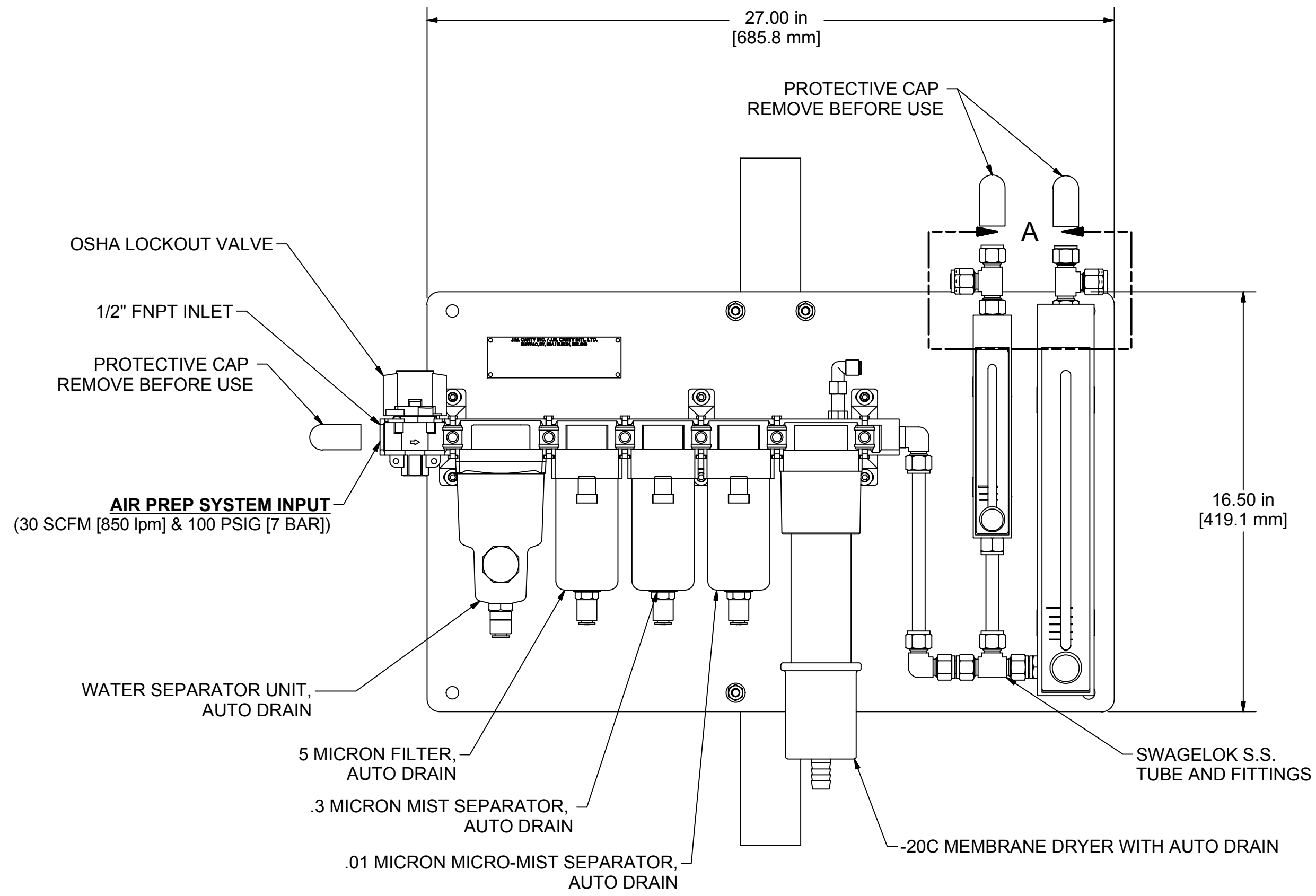


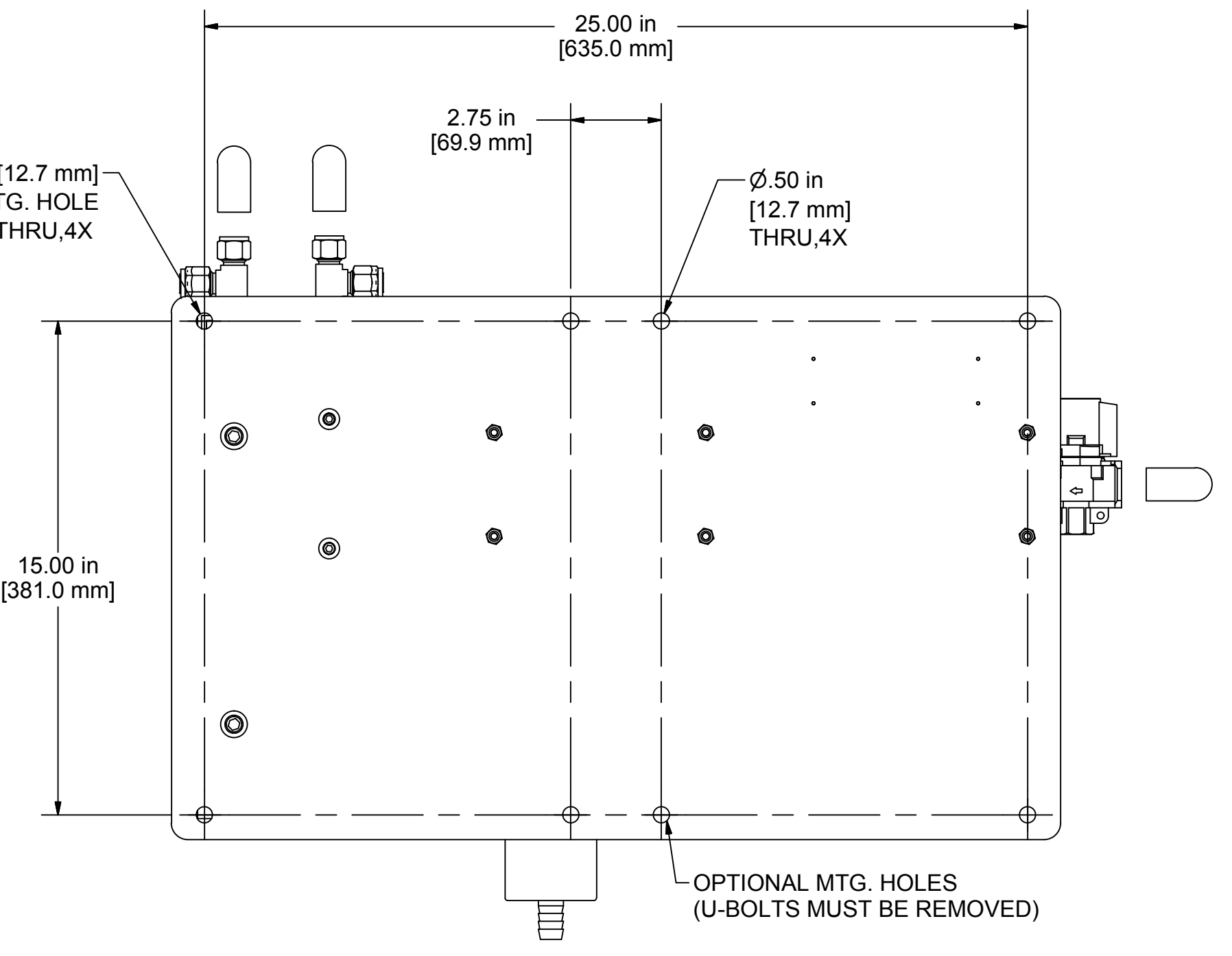
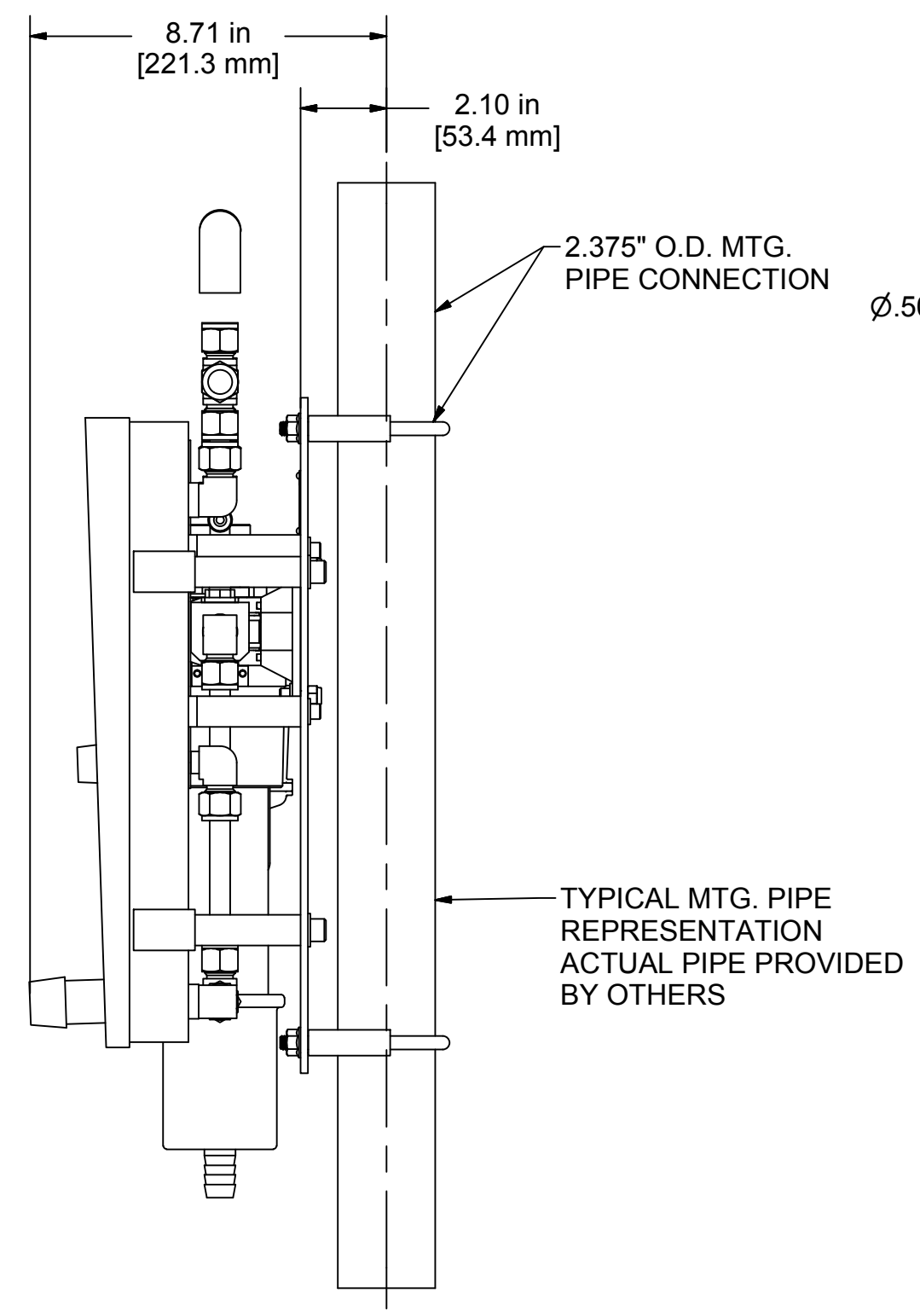
SPECIFICATIONS	
P/N	VD11851-1010
MODEL	PLANT AIR PREP. SYS, 1/2" TUBE, 2" PIPE MT., AL. PLATE
INPUT SPECIFICATIONS	MAX 100 PSIG [7 BAR], MAX TEMP. 125 F[51.6 C]
OUTPUT SPECIFICATIONS	CLEAN DRY AIR FILTERED TO .01 MICRON. -20C DEW
FEATURES	
- CONSULT FACTORY REF DWG C11509-200 FOR HIGHER TEMPS	
- INPUT FLOW NEEDS TO BE AT LEAST 30 SCFM [850 LPM]	



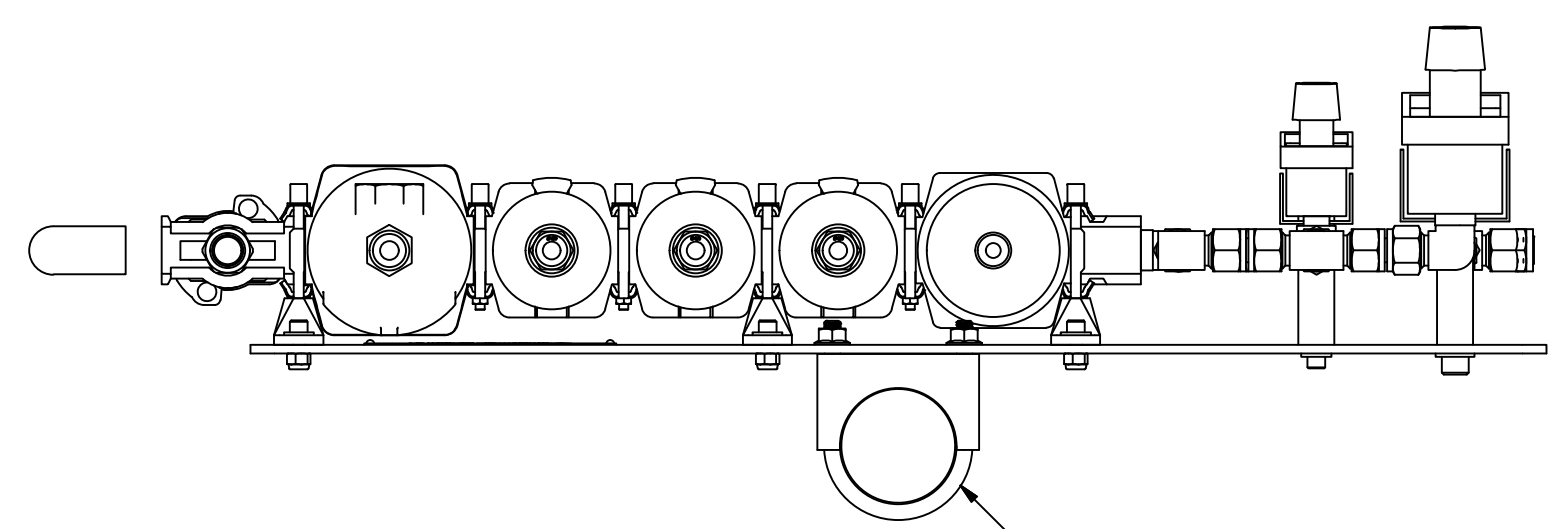
DETAIL A  
SCALE .5 : 1



FRONT VIEW  
SCALE .25 : 1



BACK VIEW  
SCALE .25 : 1  
(MTG. PIPE AND U-BOLTS/CLAMPS REMOVED FROM VIEW)



BOTTOM VIEW  
SCALE .25 : 1

- NOTES:
- AIR PREP SYSTEM INPUT REQUIREMENTS: 30 SCFM [850 lpm] & 100 PSIG [7 BAR].
  - APPROXIMATE WEIGHT : 27 LB. [12.2 KG].
  - ALL DIMENSIONS LISTED ARE THEORETICAL AND MAY VARY SLIGHTLY DUE TO MANUFACTURING TOLERANCES AND ASSEMBLY POSITION OF ADJUSTABLE PARTS.

<b>NOTICE</b> THIS DRAWING IS THE PROPERTY OF J.M. CANTY AND MUST BE RETURNED WITHOUT REPRODUCTION OR DUPLICATION, AT ANY TIME UPON REQUEST, BUT IN ANY EVENT AS SOON AS IT HAS SERVED THE PURPOSE FOR WHICH IT WAS FURNISHED. WHILE IN THE POSSESSION OF THE RECIPIENT, IT MUST BE PROPERLY SAFEGUARDED AGAINST DISCLOSURE TO ANYONE EXCEPT THOSE EMPLOYEES WHO REQUIRE IT FOR WORK OR JOB. THE RECIPIENT MUST KEEP CONFIDENTIAL AND REQUIRE HIS (HER) EMPLOYEES TO KEEP CONFIDENTIAL THE INFORMATION CONTAINED HERE ON.		<b>IMPORTANT FOR THE REQUIRED MANUFACTURING SPECIFICATIONS SEE DOCUMENT #A4955</b>		DRAWN BY MAC APPROVAL MAC ENGINEERING ANALYSIS CURRENT MFG. APPROVAL PENDING QUALITY CONTROL VJS	DATE 25-Jan-16 DATE 25-Jan-16 DATE DATE DATE	J.M. CANTY INC. 6100 DONNER RD. BUFFALO, N.Y. 14094 U.S.A. <b>CANTY</b> WWW.JMCANTY.COM J.M. CANTY INTL. LTD. BALLYCOOLIN BUS. PK. BLANCHARDSTOWN DUBLIN 15, IRELAND	TITLE PLANT AIR PREP. SYS, 1/2" TUBE FOR H.T. VIS. SYS, 2" PIPE MT., AL. PLATE, VD11851-1010 REVISION 0 FILE NAME TD11851-1020 SCALE AS NOTED SIZE D SHEET 1 OF 1
--	--	--	--	---	--	---	---