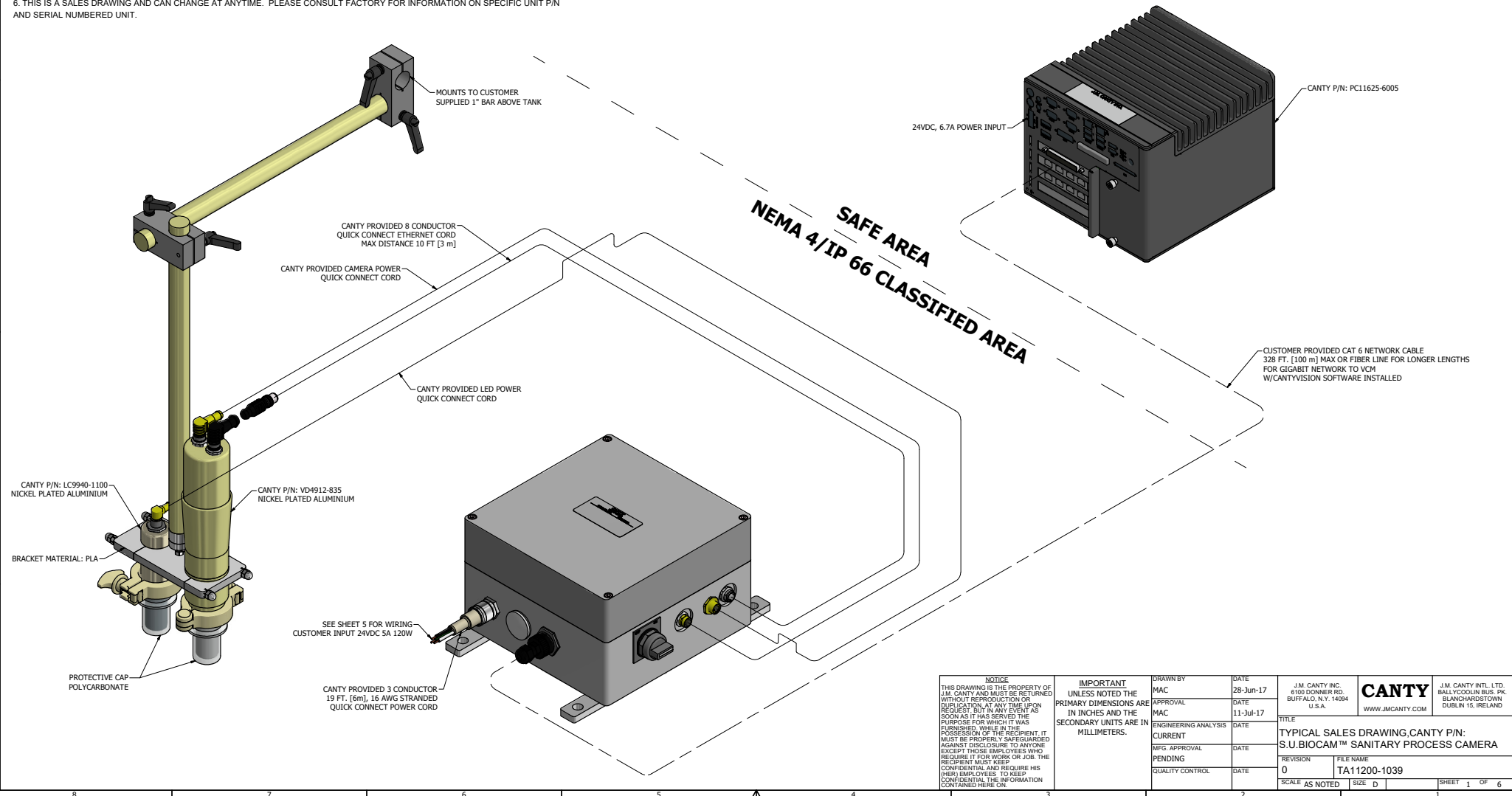


# SHEET 1 OF 6

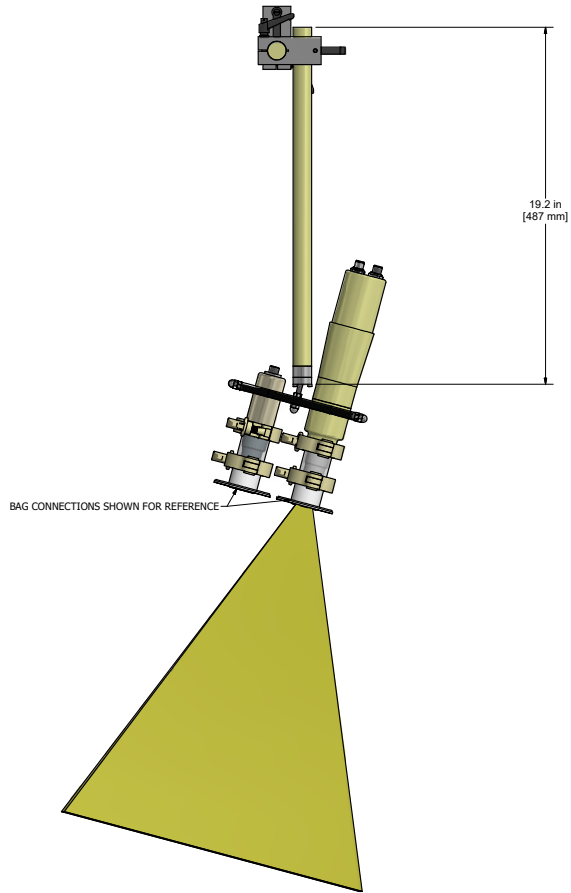
**NOTES:**

1. CUSTOMER SUPPLIES APPROPRIATE GASKET FOR CONNECTION TYPE USED. ALL SUPPLIED ENCLOSURES AND QUICK DISCONNECT FITTINGS MEET NEMA-4 / IEC IP66 REQUIREMENTS.
2. ALL WIRING & CONNECTORS ARE SUPPLIED BY CUSTOMER AND MUST BE COMPLETED IN ACCORDANCE WITH APPLICABLE REGULATIONS.
3. SYSTEM INCLUDES ONE LICENSE OF CANTYVISION SOFTWARE TO BE INSTALLED ON THE CUSTOMER'S COMPUTER SYSTEM.
4. EQUIPMENT FEATURES HEATING SYSTEM TO DETER CONDENSATION FROM FORMING ON THE SINGLE USE FITTING PROVIDING A CLEAR VIEW AND FULL LIGHT TRANSMISSION. REMOTE CONTROL OF LIGHTING SETTINGS ALLOWS OPTIMIZATION OF FREQUENCY AND DURATION LIGHT IS ADDED TO THE VESSEL PROCESS TEMPERATURE SHOULD NOT EXCEED 100F. IF DOES CONSULT FACTORY.
5. SEE ADDITIONAL SHEETS FOR DIMENSIONAL INFORMATION ON EQUIPMENT.
6. THIS IS A SALES DRAWING AND CAN CHANGE AT ANYTIME. PLEASE CONSULT FACTORY FOR INFORMATION ON SPECIFIC UNIT P/N AND SERIAL NUMBERED UNIT.

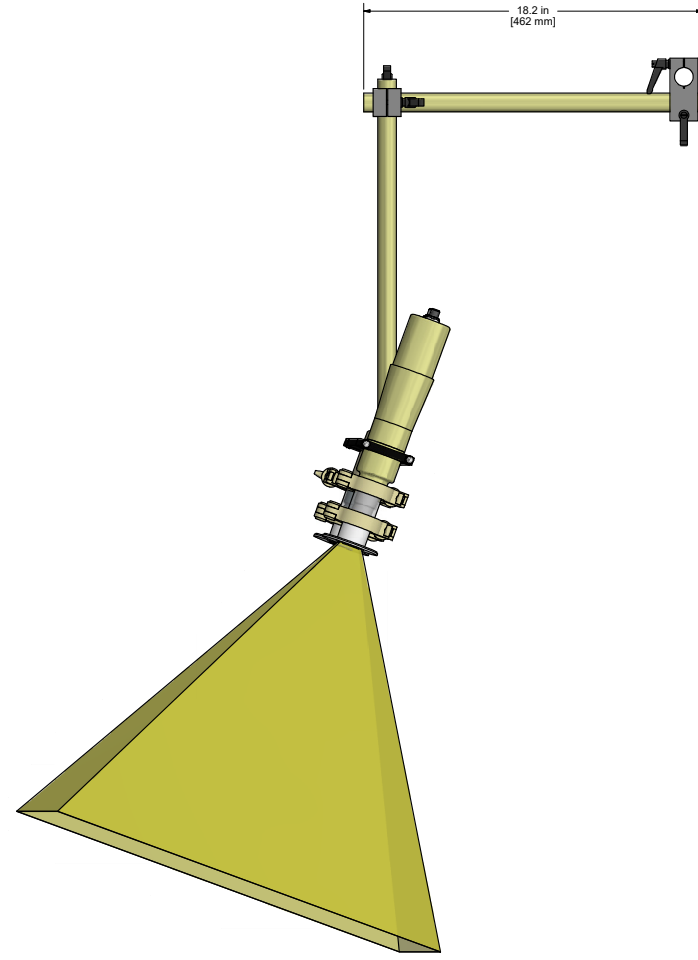


<p><b>NOTICE</b></p> <p>THIS DRAWING IS THE PROPERTY OF J.M. CANTY AND MUST BE RETURNED WITHOUT REPRODUCTION OR DUPLICATION AT ANY TIME UPON REQUEST. IN ANY EVENT AS SOON AS IT HAS SERVED THE PURPOSE FOR WHICH IT WAS FURNISHED, WHILE IN THE POSSESSION OF THE RECIPIENT, IT MUST BE PROPERLY SAFEGUARDED AGAINST DISCLOSURE TO ANYONE EXCEPT THOSE EMPLOYEES WHO REQUIRE IT FOR WORK OR JOB. THE RECIPIENT MUST KEEP CONFIDENTIAL AND REQUIRE HIS/HER EMPLOYEES TO KEEP CONFIDENTIAL THE INFORMATION CONTAINED HERE ON.</p>	<p><b>IMPORTANT</b></p> <p>UNLESS NOTED THE PRIMARY DIMENSIONS ARE IN INCHES AND THE SECONDARY UNITS ARE IN MILLIMETERS.</p>	<p>DRAWN BY MAC</p> <p>APPROVAL MAC</p>	<p>DATE 28-Jun-17</p> <p>DATE 11-Jul-17</p>	<p>J.M. CANTY INC. 6100 DONNER RD. BUFFALO, N.Y. 14204 U.S.A.</p>	<p><b>CANTY</b></p> <p>WWW.JMCANTY.COM</p>	<p>J.M. CANTY INTL. LTD. BALLYCOOLIN BUS. PK. BLANCHARDSTOWN DUBLIN 15, IRELAND</p>
		<p>ENGINEERING ANALYSIS CURRENT</p> <p>MFG. APPROVAL PENDING</p> <p>QUALITY CONTROL</p>	<p>DATE</p> <p>DATE</p> <p>DATE</p>	<p>TITLE TYPICAL SALES DRAWING. CANTY P/N: S.U.BIOCAM™ SANITARY PROCESS CAMERA</p> <p>REVISION 0</p> <p>FILE NAME TA11200-1039</p>	<p>SCALE AS NOTED</p> <p>SIZE D</p>	<p>SHEET 1 OF 6</p>

SHEET 2 OF 6



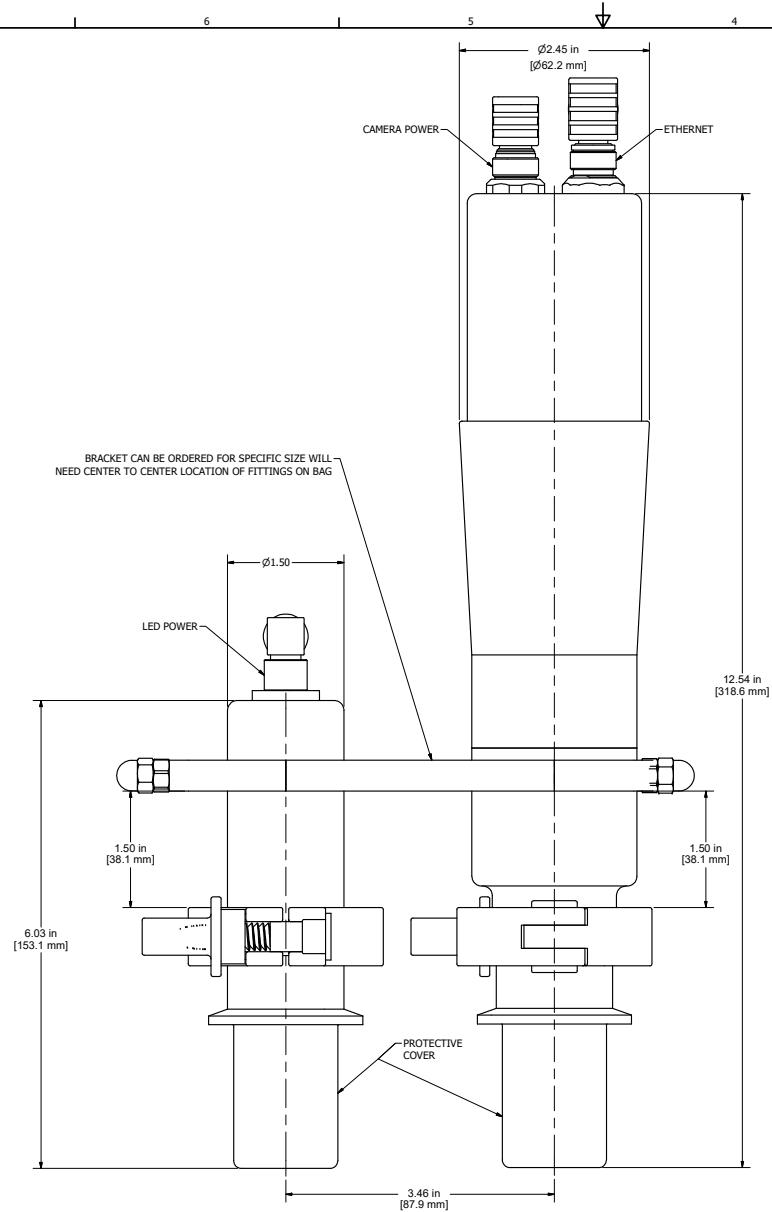
FRONT VIEW  
SCALE .3 : 1



SIDE VIEW  
SCALE 0.3 : 1

- NOTES:**  
 1. ANGLES SHOWN TO SHOW CAPABILITY OF ROTATION.  
 2. CLAMPS USED TO ADJUST VERTICAL AND HORIZONTAL DISTANCES

<b>NOTICE</b> THIS DRAWING IS THE PROPERTY OF J.M. CANTY AND MUST BE RETURNED WITHOUT REPRODUCTION OR DUPLICATION AT ANY TIME UPON REQUEST BUT IN ANY EVENT AS SOON AS IT HAS SERVED THE PURPOSE FOR WHICH IT WAS FURNISHED. WHILE IN THE POSSESSION OF THE RECIPIENT, IT MUST BE PROPERLY SAFEGUARDED AGAINST DISCLOSURE TO ANYONE EXCEPT THOSE EMPLOYEES WHO REQUIRE IT FOR WORK OR JOB. THE RECIPIENT MUST KEEP CONFIDENTIAL AND REQUIRE HIS (HER) EMPLOYEES TO KEEP CONFIDENTIAL THE INFORMATION CONTAINED HERE ON.		<b>IMPORTANT</b> UNLESS NOTED THE PRIMARY DIMENSIONS ARE IN INCHES AND THE SECONDARY UNITS ARE IN MILLIMETERS.		DRAWN BY MAC APPROVAL MAC ENGINEERING ANALYSIS CURRENT MFG. APPROVAL PENDING QUALITY CONTROL	DATE 28-Jun-17 DATE 11-Jul-17 DATE DATE DATE	J.M. CANTY INC. 6100 DONNER RD. BUFFALO, N.Y. 14204 U.S.A. WWW.JMCANTY.COM	<b>CANTY</b> J.M. CANTY INT'L LTD. BALLYCOOLIN BUS. PK. BLANCHARDSTOWN DUBLIN 15, IRELAND
TITLE TYPICAL SALES DRAWING.CANTY P/N: S.U.BIOCAM™ SANITARY PROCESS CAMERA							
REVISION 0 FILE NAME TA11200-1039				SCALE AS NOTED SIZE D SHEET 2 OF 6			

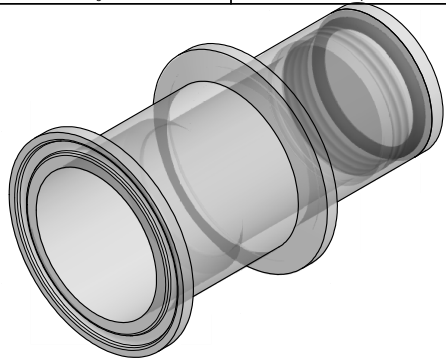


FRONT VIEW  
SCALE 1.25 : 1

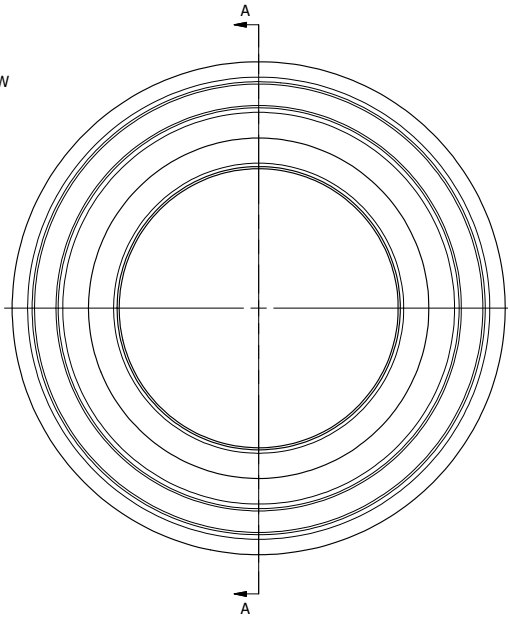
- NOTES:**  
 1. PROTECTIVE CAP WILL BE REMOVED AND REPLACED WITH SINGLE USE FITTING SEE DETAILS ON SHEET 4 FOR DIMENSIONS OF FITTING.  
 2. SINGLE USE FITTING SHOULD BE ATTACHED 1.5" BELOW BRACKET.

<p><b>NOTICE</b>                  THIS DRAWING IS THE PROPERTY OF J.M. CANTY AND MUST BE RETURNED WITHOUT REPRODUCTION OR DUPLICATION AT ANY TIME UPON REQUEST. BUT IN ANY EVENT AS SOON AS IT HAS SERVED THE PURPOSE FOR WHICH IT WAS FURNISHED, WHILE IN THE POSSESSION OF THE RECIPIENT, IT MUST BE PROPERLY SAFEGUARDED AGAINST DISCLOSURE TO ANYONE EXCEPT THOSE EMPLOYEES WHO REQUIRE IT FOR WORK OR JOB. THE RECIPIENT MUST KEEP CONFIDENTIAL AND REQUIRE HIS (HER) EMPLOYEES TO KEEP CONFIDENTIAL THE INFORMATION CONTAINED HERE ON.</p>	<p><b>IMPORTANT</b>                  UNLESS NOTED THE PRIMARY DIMENSIONS ARE IN INCHES AND THE SECONDARY UNITS ARE IN MILLIMETERS.</p>	<p>DRAWN BY MAC</p> <p>APPROVAL MAC</p> <p>ENGINEERING ANALYSIS CURRENT</p> <p>MFG. APPROVAL PENDING</p> <p>QUALITY CONTROL</p>	<p>DATE 28-Jun-17</p> <p>DATE 11-Jul-17</p> <p>DATE</p> <p>DATE</p> <p>DATE</p>	<p>J.M. CANTY INC.                  6100 DONNER RD.                  BUFFALO, N.Y. 14204                  U.S.A.</p>	<p><b>CANTY</b>                  WWW.JMCANTY.COM</p>	<p>J.M. CANTY INTL. LTD.                  BALLYCOOLIN BUS. PK.                  BLANCHARDSTOWN                  DUBLIN 15, IRELAND</p>	
	<p>TITLE TYPICAL SALES DRAWING, CANTY P/N: S.U.BIOCAM™ SANITARY PROCESS CAMERA</p>			<p>REVISION 0</p>	<p>FILE NAME TA11200-1039</p>	<p>SCALE AS NOTED</p>	<p>SIZE D</p>
	<p>SHEET 3 OF 6</p>			<p>DATE</p>	<p>DATE</p>	<p>DATE</p>	<p>DATE</p>
	<p>DATE</p>			<p>DATE</p>	<p>DATE</p>	<p>DATE</p>	<p>DATE</p>

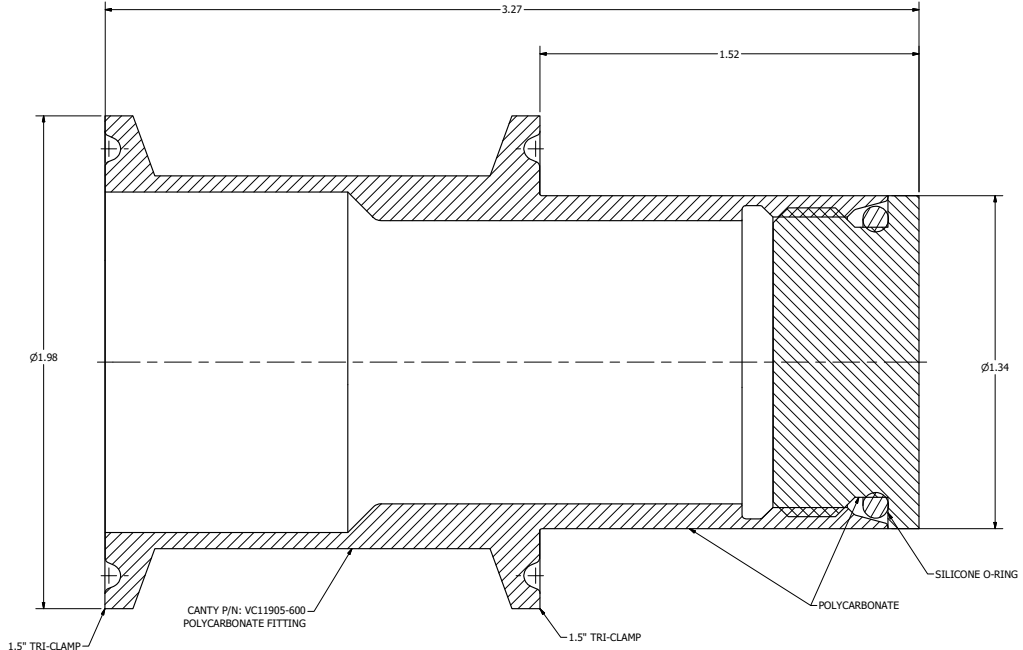
# SHEET 4 OF 6



ISOMETRIC VIEW  
SCALE 2 : 1



TOP VIEW  
SCALE 4 : 1



SECTION A-A  
SCALE 4 : 1

**NOTES:**

1. POLYCARBONATE FITTING FOR SINGLE USE. FITTING DESIGNED TO MOUNT TO 1.5" SANITARY CONNECTION. CUSTOMER MUST PROVIDE APPROPRIATE SEALING GASKET FOR MOUNTING SYSTEM TO BAG FITTING.
2. CONSULT FACTORY FOR OTHER MATERIAL OPTIONS.
3. STERILIZATION CAN BE DONE WITH 121°C CYCLE, DRYING CYCLE MUST BE COMPLETED.

**NOTICE**  
THIS DRAWING IS THE PROPERTY OF J.M. CANTY AND MUST BE RETURNED WITHOUT REPRODUCTION OR DUPLICATION AT ANY TIME UPON REQUEST. IN ANY EVENT AS SOON AS IT HAS SERVED THE PURPOSE FOR WHICH IT WAS FURNISHED, WHILE IN THE POSSESSION OF THE RECIPIENT, IT MUST BE PROPERLY SAFEGUARDED AGAINST DISCLOSURE TO ANYONE EXCEPT THOSE EMPLOYEES WHO REQUIRE IT FOR WORK OR JOB. THE RECIPIENT MUST KEEP CONFIDENTIAL AND REQUIRE HIS/HER EMPLOYEES TO KEEP CONFIDENTIAL THE INFORMATION CONTAINED HERE ON.

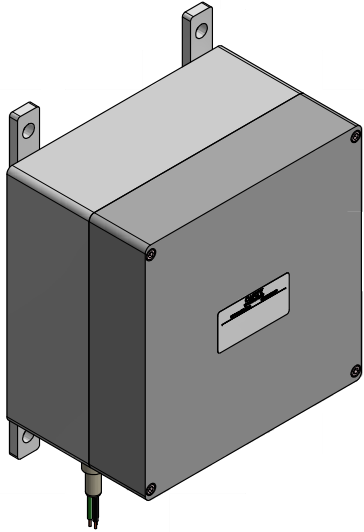
**IMPORTANT**  
FOR THE REQUIRED MANUFACTURING SPECIFICATIONS SEE DOCUMENT #A4955

NOTE: FAILURE TO RECEIVE DOCUMENT DOES NOT WAIVE VENDOR RESPONSIBILITY

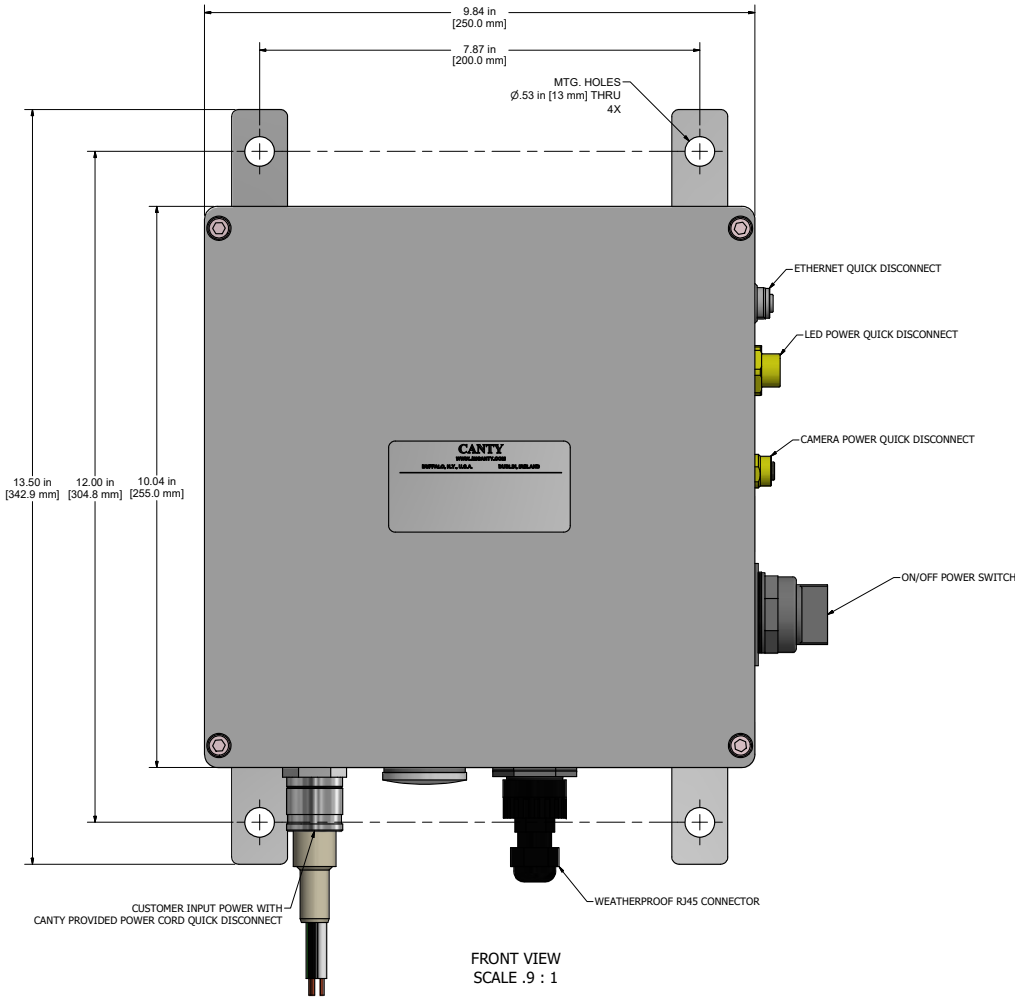
DRAWN BY MAC	DATE 28-Jun-17
APPROVAL MAC	DATE 11-Jul-17
ENGINEERING ANALYSIS CURRENT	DATE
MFG. APPROVAL PENDING	DATE
QUALITY CONTROL	DATE

J.M. CANTY INC. 6100 DONNER RD. BUFFALO, N.Y. 14204 U.S.A.		<b>CANTY</b> WWW.JMCANTY.COM	
TITLE TYPICAL SALES DRAWING, CANTY P/N: S.U.BIOCAM™ SANITARY PROCESS CAMERA			
REVISION 0	FILE NAME TA11200-1039	SCALE AS NOTED	SIZE D
SHEET 4 OF 6			

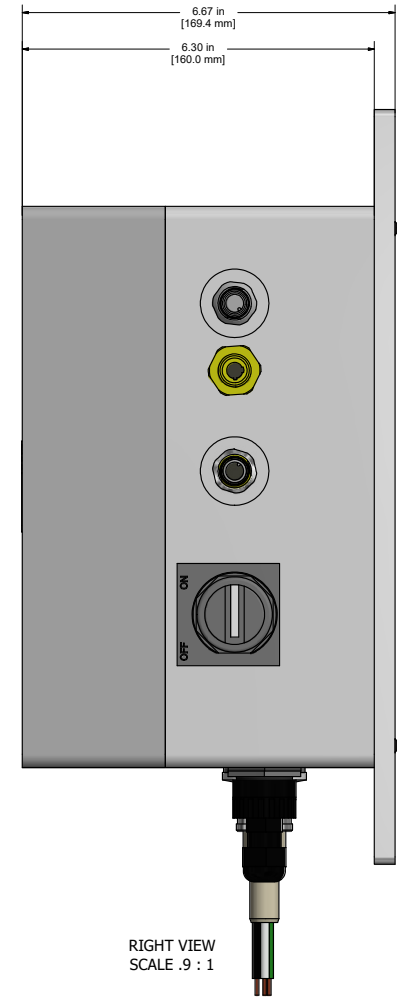
# SHEET 5 OF 6



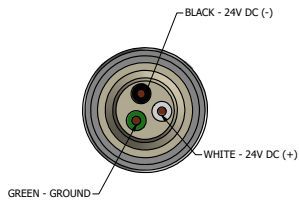
ISOMETRIC VIEW  
SCALE .5 : 1



FRONT VIEW  
SCALE .9 : 1



RIGHT VIEW  
SCALE .9 : 1

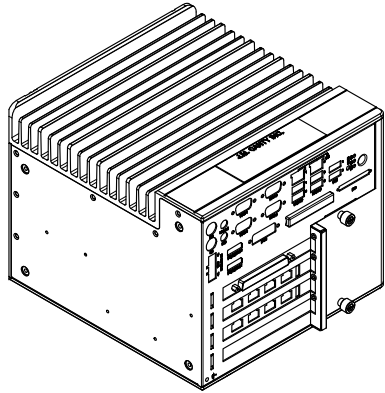


INPUT WIRING SCHEMATIC  
SCALE 2 : 1

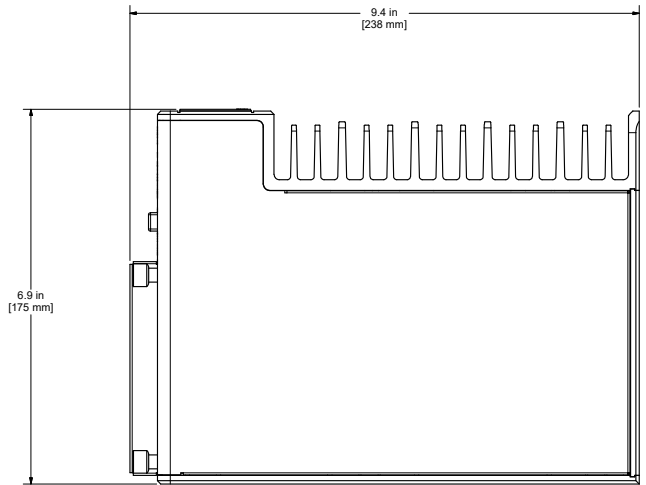
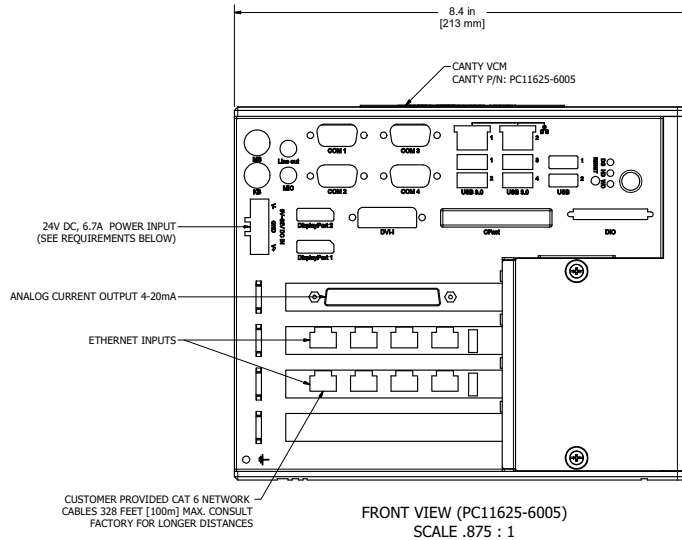
INPUT WIRING SCHEMATIC			
WIRE COLOR	WHITE	BLACK	GREEN
VOLTAGE (DC)	24V DC (+) POSITIVE	24V DC (-) NEGATIVE	GROUND

- NOTES:**  
1. MOUNT WITH SWITCH ON THE SIDE AS SHOWN ABOVE.

<b>NOTICE</b> THIS DRAWING IS THE PROPERTY OF J.M. CANTY AND MUST BE RETURNED WITHOUT REPRODUCTION OR DUPLICATION AT ANY TIME UPON REQUEST. BUY IN ANY EVENT AS SOON AS IT HAS SERVED THE PURPOSE FOR WHICH IT WAS FURNISHED. WHILE IN THE POSSESSION OF THE RECIPIENT, IT MUST BE PROPERLY SAFEGUARDED AGAINST DISCLOSURE TO ANYONE EXCEPT THOSE EMPLOYEES WHO REQUIRE IT FOR WORK OR JOB. THE RECIPIENT MUST KEEP CONFIDENTIAL AND REQUIRE HIS (HER) EMPLOYEES TO KEEP CONFIDENTIAL THE INFORMATION CONTAINED HERE ON.		<b>IMPORTANT</b> FOR THE REQUIRED MANUFACTURING SPECIFICATIONS SEE DOCUMENT #A4955		DRAWN BY MAC		DATE 28-Jun-17		J.M. CANTY INC. 6100 DONNER RD. BUFFALO, N.Y. 14204 U.S.A.		<b>CANTY</b> WWW.JMCANTY.COM		J.M. CANTY INTL. LTD. BALLYCOOLIN BUS. PK. BLANCHARDSTOWN DUBLIN 15, IRELAND	
ENGINEERING ANALYSIS CURRENT		DATE		TITLE TYPICAL SALES DRAWING, CANTY P/N: S.U.BIOCAM™ SANITARY PROCESS CAMERA				REVISION 0		FILE NAME TA11200-1039		SCALE AS NOTED	
MFG. APPROVAL PENDING		DATE		QUALITY CONTROL		DATE		SIZE D		SHEET 5 OF 6			



ISOMETRIC VIEW  
SCALE .5 : 1



VCM POWER REQUIREMENTS

1. INPUT POWER REQUIREMENTS: 24V DC @ 6.7A
2. ENSURE DC POWER SUPPLY IS WITHIN THE INPUT VOLTAGE RANGE DEFINED IN THE SPECIFICATION.
3. ENSURE DC POWER SUPPLY IS STABLE AND LOW NOISE.
4. ENSURE DC POWER SUPPLY PROVIDES SUFFICIENT OPERATING CURRENT.
5. DC POWER SUPPLY OVER OR UNDER VOLTAGE, UNSTABLE OR INSUFFICIENT POWER MAY CAUSE SYSTEM INSTABILITY AND PHYSICAL DAMAGE.



Pin	Signal
1	V+ (DC IN)
2	GND (CHGND)
3	V- (DGND)

<p><b>NOTICE</b></p> <p>THIS DRAWING IS THE PROPERTY OF J.M. CANTY AND MUST BE RETURNED WITHOUT REPRODUCTION OR DUPLICATION AT ANY TIME UPON REQUEST. IN ANY EVENT AS SOON AS IT HAS SERVED THE PURPOSE FOR WHICH IT WAS FURNISHED, WHILE IN THE POSSESSION OF THE RECIPIENT, IT MUST BE PROPERLY SAFEGUARDED AGAINST DISCLOSURE TO ANYONE EXCEPT THOSE EMPLOYEES WHO REQUIRE IT FOR WORK OR JOB. THE RECIPIENT MUST KEEP CONFIDENTIAL AND REQUIRE HIS/HER EMPLOYEES TO KEEP CONFIDENTIAL THE INFORMATION CONTAINED HERE ON.</p>	<p><b>IMPORTANT</b></p> <p>FOR THE REQUIRED MANUFACTURING SPECIFICATIONS SEE DOCUMENT #A4955</p> <p>NOTE: FAILURE TO RECEIVE DOCUMENT DOES NOT WAIVE VENDOR RESPONSIBILITY</p>	<p>DRAWN BY MAC</p>	<p>DATE 28-Jun-17</p>	<p>J.M. CANTY INC. 6100 DONNER RD. BUFFALO, N.Y. 14204 U.S.A.</p>	<p><b>CANTY</b></p> <p>WWW.JMCANTY.COM</p>	<p>J.M. CANTY INTL. LTD. BALLYCOOLIN BUS. PK. BLANCHARDSTOWN DUBLIN 15, IRELAND</p>	
		<p>APPROVAL MAC</p>	<p>DATE 11-Jul-17</p>	<p>TITLE TYPICAL SALES DRAWING, CANTY P/N: S.U.BIOCAM™ SANITARY PROCESS CAMERA</p>			
		<p>ENGINEERING ANALYSIS CURRENT</p>	<p>DATE</p>	<p>REVISION 0</p>			<p>FILE NAME TA11200-1039</p>
		<p>MFG. APPROVAL PENDING</p>	<p>DATE</p>	<p>SCALE AS NOTED</p>			<p>SIZE D</p>
<p>QUALITY CONTROL</p>	<p>DATE</p>	<p>SHEET 6 OF 6</p>					