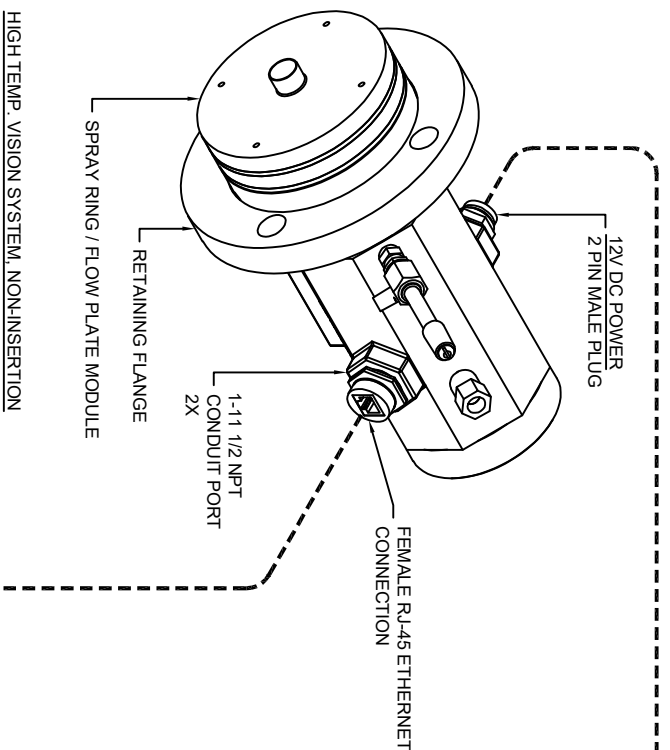
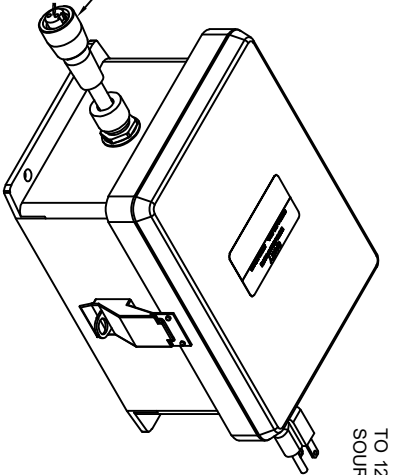


PROCESS AREA

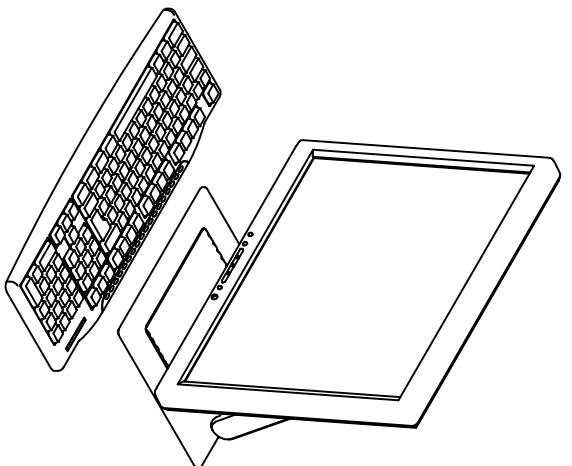
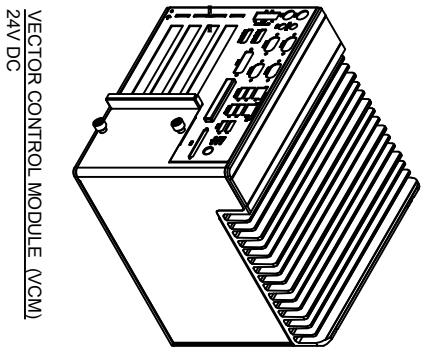
TO 120V AC, 60 HZ SOURCE



12V DC CAMERA POWER 2 PIN FEMALE PLUG & 20 ft. [6m] CABLE PROVIDED TO CONNECT DIRECTLY TO MALE FITTING ON HOUSING (CUSTOMER CAN EXTEND WIRING TO A MAX. DISTANCE OF 100 ft. [30.5m])



SAFE AREA



- NOTES:**
1. ANY WIRING AND CONNECTORS ARE SUPPLIED BY CUSTOMER AND MUST BE COMPLETED IN ACCORDANCE WITH APPLICABLE REGULATIONS.
 2. ETHERNET CAMERA IS CONNECTED TO CUSTOMER'S DEDICATED ETHERNET NETWORK VIA CAT6 ETHERNET CABLE.
 3. EACH ETHERNET VISION SYSTEM IS PROVIDED WITH A LICENSE OF CANTY/VISION SOFTWARE INSTALLED ON A CANTY VECTOR CONTROL MODULE (VCM).
 4. THIS DOCUMENT IS INCLUDED WITH THE HIGH TEMPERATURE VISION SYSTEM, NON-INSERTION INSTALLATION AND OPERATION MANUAL TA10790-1.
 5. ALL INFORMATION SUBJECT TO CHANGE WITHOUT NOTICE.

NOTICE
THIS DRAWING IS THE PROPERTY OF J.M. CANTY AND MUST BE RETURNED WITHOUT REPRODUCTION OR REPLICATION AT ANY TIME UPON DEMAND. IT HAS SERVED THE PURPOSE FOR WHICH IT WAS FURNISHED. WHILE IN THE POSSESSION OF THE RECIPIENT, IT IS TO BE KEPT SECURE AND NOT DISCLOSED TO ANYONE EXCEPT THOSE EMPLOYEES WHO REQUIRE IT FOR WORK OR JOB. THE RECIPIENT MUST SIGN AND RETURN HEREIN TO KEEP CONFIDENTIAL THE INFORMATION CONTAINED HERE ON.

IMPORTANT
FOR THE REQUIRED MANUFACTURING SPECIFICATIONS SEE DOCUMENT #A4955
NOTE: FAILURE TO RECEIVE DOCUMENT DOES NOT WAIVE VENDOR RESPONSIBILITY

DRAWN BY	DATE
GKW	27-Oct-17
APPROVAL	DATE
MFR	30-Oct-17
ENGINEERING ANALYSIS	DATE
CURRENT	DATE
MFG. APPROVAL	DATE
PENDING	DATE
QUALITY CONTROL	DATE
I.O.A.	DATE

J.M. CANTY INC. 6100 DONNER RD. BUFFALO, N.Y. 14094 U.S.A.		CANTY WWW.JMCANTY.COM		J.M. CANTY INT'L. LTD. BALYCOOLIN BUS. PK BLANCHARDSTOWN DUBLIN 15, IRELAND	
TITLE TYPICAL ETHERNET VISION SYSTEM LAYOUT, HIGH TEMP. SYSTEM, NON-INSERTION, W/ VCM					
SIZE	REVISION	FILE NAME			
C	0	TA11950-1008			
SCALE	N.T.S.	SHEET	1	OF	1