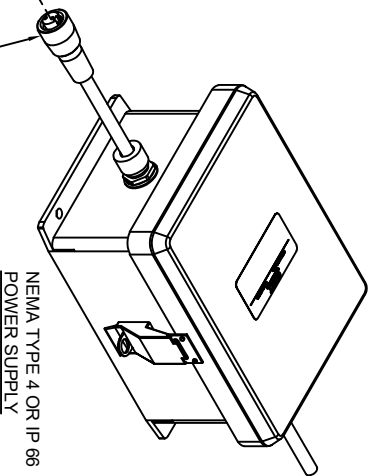
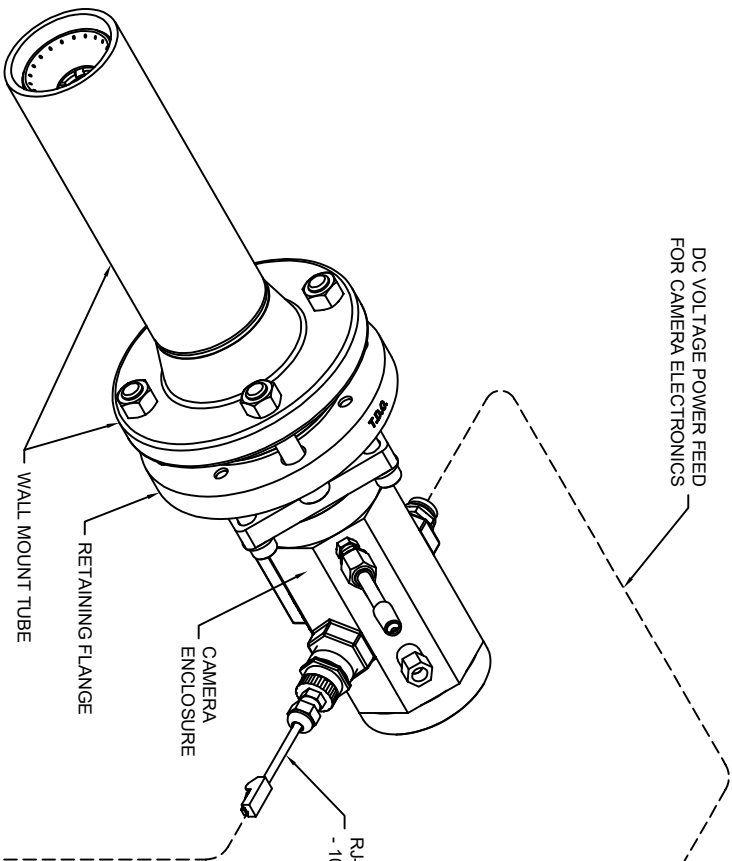


**PROCESS AREA**

TO 120V AC, 60 Hz  
SOURCE



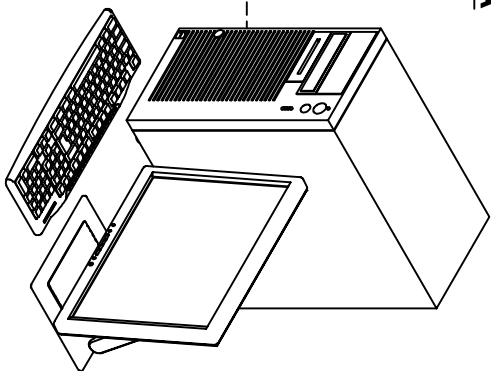
R-45 ETHERNET CABLE INCLUDED  
- 10 ft [3 m] CABLE LENGTH

INCLUDED QUICK CONNECT CABLE TO  
MATING CONNECTOR ON CAMERA HOUSING  
- 19 ft [6 m] CABLE LENGTH

CUSTOMER TO SUPPLY CAT6  
ETHERNET CABLE WITH R-45  
TERMINATIONS  
- 300 ft [91 m] MAX. DISTANCE

TYPICAL ETHERNET NETWORK

**SAFE AREA**



TYPICAL CUSTOMER SUPPLIED COMPUTER

- NOTES:**
1. ALL WIRING AND CONNECTORS ARE SUPPLIED BY CUSTOMER AND MUST BE COMPLETED IN ACCORDANCE WITH APPLICABLE REGULATIONS.
  2. ETHERNET CAMERA IS CONNECTED TO CUSTOMERS DEDICATED ETHERNET NETWORK VIA CAT6 ETHERNET CABLE.
  3. EACH ETHERNET VISION SYSTEM IS PROVIDED WITH A SINGLE CLIENT LICENSE OF CANTY VIEWER SOFTWARE FOR REMOTE VIEWING ON A CUSTOMER SUPPLIED COMPUTER.
  4. THIS DOCUMENT IS INCLUDED WITH THE HIGH TEMPERATURE VISION SYSTEM, INSERTION INSTALLATION AND OPERATION MANUALS TA6205-1 AND TA8823-1.
  5. SEE DOCUMENT TA6205-150 FOR PIPING DETAILS.
  6. ALL INFORMATION SUBJECT TO CHANGE WITHOUT NOTICE.

**NOTICE**

THIS DRAWING IS THE PROPERTY OF J.M. CANTY AND MUST BE RETURNED WITHOUT REPRODUCTION OR REPLICATION AT ANY TIME UPON DEMAND AS IT HAS SERVED THE PURPOSE FOR WHICH IT WAS FURNISHED. WHILE IN THE POSSESSION OF THE RECIPIENT, IT IS TO BE KEPT SECURE AND NOT DISCLOSED TO ANYONE EXCEPT THOSE EMPLOYEES WHO REQUIRE IT FOR WORK OR JOB. THE RECIPIENT MUST SIGN AND RETURN HEREIN EMPLOYEES TO KEEP CONFIDENTIAL THE INFORMATION CONTAINED HEREON.

**IMPORTANT**

FOR THE REQUIRED MANUFACTURING SPECIFICATIONS SEE DOCUMENT #A4955

NOTE: FAILURE TO RECEIVE DOCUMENT DOES NOT WAIVE VENDOR RESPONSIBILITY

DRAWN BY	DATE		
GKW	11-Dec-19	J.M. CANTY INC.	J.M. CANTY INTL. LTD.
APPROVAL	DATE	6100 DONNER RD.	BALLYCOOLIN BUS. PK
MFR	09-Jan-20	U.S.A.	BLANCHARDSTOWN
ENGINEERING ANALYSIS	DATE		DUBLIN 15, IRELAND
CURRENT	DATE		
MFG. APPROVAL	DATE		
QUALITY CONTROL	DATE		
V/S	DATE		
TITLE		FILE NAME	
TYPICAL ETHERNET ULTRATEMP HIGH TEMP. INSERTION VISION SYSTEM / COMPONENT LAYOUT		TA11950-1034	
SCALE	NTS	SHEET 1 OF 1	