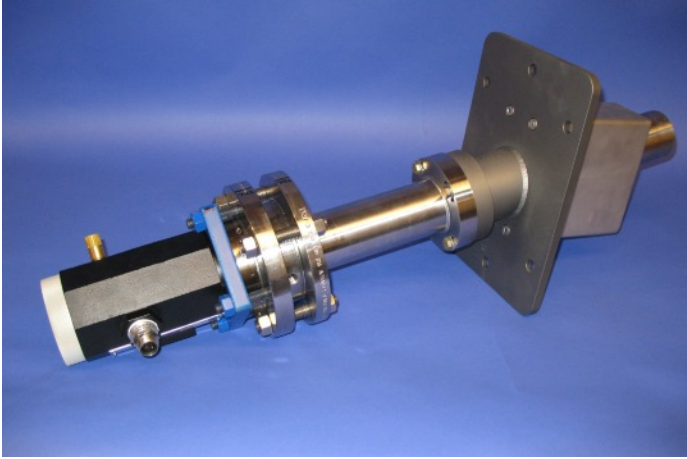


CANTY

PROCESS TECHNOLOGY

RIGHT ANGLE HIGH TEMPERATURE CAMERAS



UNMATCHED PERFORMANCE

Canty Right Angle High Temp Cameras are ideal for difficult viewing applications where conventional view angles are insufficient.

- Computer designed optics for a crystal-clear picture.
- All cameras feature state of the art camera technology.
- A digital electronic auto-iris provides an exceptional image of your application without the problems associated with manual apertures.
- High temperature lenses designed to survive in process without cooling air.

SAFETY IS A PRIMARY CONCERN

Canty RIGHT ANGLE Camera Systems feature a fused glass seal standard with every model. This unique seal provides an impenetrable safety barrier to protect the camera electronics from the harsh process environment and preventing hazardous vapors from escaping into your plant.

APPLICATIONS

- Furnaces
- Power Boilers
- Energy From Waste Incinerators
- Renewable Energy Burners
- Kilns

FEATURES

- Disposable Quartz Protective Shield
- High Temperature Furnace Lens
- Auto Electronic Iris
- High Quality Quartz Optics
- Fused Glass Seal Separates Electronics From Process
- Insertion Lens Available Up To 36" Long
- Ethernet IP cameras

SPECIFICATIONS

- Video Formats: NTSC, PAL, EIA, CCIR, or Ethernet outputs available.
- Video Output: 1.0 V p-p, 75 ohm(NTSC, PAL, EIA, CCIR models) or Ethernet output to PC available
- Cable: RG 59/U, RG 11/U, RG 6/U coaxial cable suitable for CCTV applications is recommended for analog cameras. Ethernet cameras require CAT5e or better cabling.
- Power Req.: User supplies 120V AC, 60 Hz or 230V AC, 50 Hz power. Canty supplies transformer To 12V DC, .5A TYP.
- Ratings: Available in NEMA TYPE 1, NEMA TYPE 4, IP20, IP66
- Mounting: Foster Wheeler Door Mount, consult factory for other options and for adapting to alternative mounts.

CANTY

JM Canty Inc

Buffalo, NY USA

Ph: (716) 625 4227

Fax: (716) 625 4228

JM Canty Intl Ltd

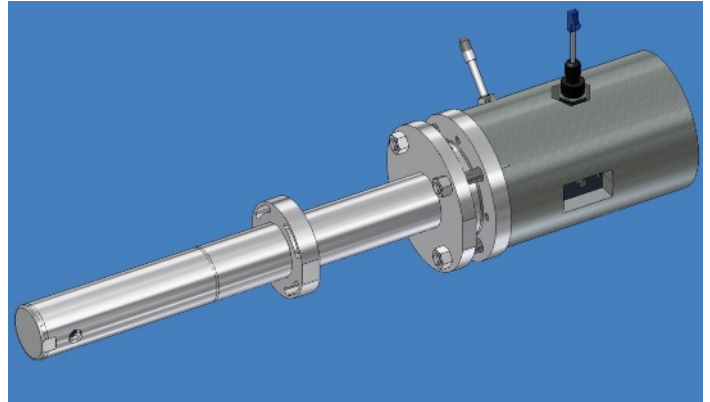
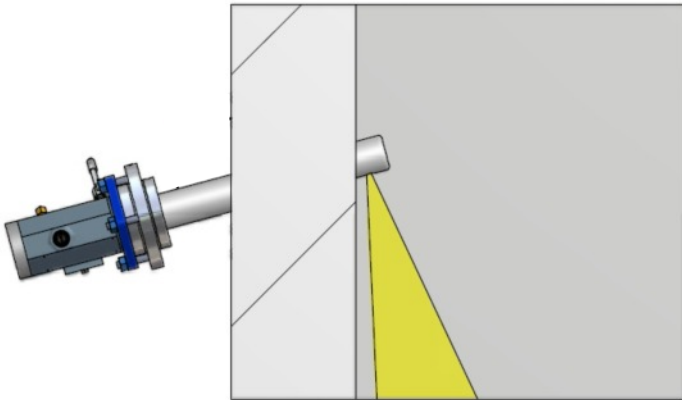
Dublin, Ireland

Ph: + 353 (01) 882 9621

Fax: +353 (01) 882 9622

www.jmcanty.com

DIMENSIONAL INFORMATION



Ordering Information

HOW TO ORDER: Select the appropriate symbols and build a part number as shown:

EXAMPLE:

VSR DC 6 4 B 5 - S - FWD - 24INS

VIDEO OUTPUT FORMAT

VSR - North American Standard
VER - European Standard

CAMERA OPTION

DL - B&W camera
DC - Color camera
DE - Ethernet camera
DR - Color Neutral Camera

ENVIRONMENTAL RATING

6 - Weather Proof

TEMPERATURE RATING

4 - Furnace Operating 2500°F
Temp at lens 1500°F or less.

LENS VIEW ANGLES

Insertion Models
B - 30° (H)

INSERTION LENGTHS

24INS - 24" [610mm] Insertion

MOUNTING CONNECTION

FWD - Foster Wheeler Door Mount

MATERIAL OF CONSTRUCTION

S - 304 L Stainless Steel
H - Hastelloy® C276
I - Inconel®

CAMERA POWER SUPPLY OPTIONS

- 1 - Power supply in NEMA Type 1 enclosure (120V AC input)
- 2 - Power supply in IP 20 enclosure (230V AC input)
- 5 - Power supply in WP NEMA 4X enclosure (120V AC input)
- 6 - Power supply in IP66 enclosure (230V AC input)

CANTY

www.jmcanty.com

Document P/N : TA11500-1009 Rev 1

JM Canty Inc

JM Canty Intl Ltd

Buffalo, NY USA

Dublin, Ireland

Ph: (716) 625 4227

Ph: +353 (01) 882 9621

Fax: (716) 625 4228

Fax: +353 (01) 882 9622

All registered trademarks are the property of their respective owners.