

CANTY

PROCESS TECHNOLOGY

HIGHTEMP™ SURVEILLANCE CAMERA - Fiber Glass Control



APPLICATION INFORMATION

The Canty system consists of a high temperature Ethernet process camera and incorporates special software to reduce glare along with a unique orifice plate that eliminates any debris from adhering to the lens, offering a clear view of the fiber glass at all times. This new low cost, no-maintenance system replaces expensive live-scan cameras. The system allows you to detect the width of strands to determine glass flow rate. Particulate and bubbles can be detected as well to help with process optimization. Flow rate measurements are made in real-time on a continuous basis. CANTYVISIONCLIENT™ Software utilizes image based technology to continually track width. The image is continually analyzed to give real-time flow rate. What's more, your results are visually verifiable on your local area network or localized computer! 4-20 mA current loop available or OPC output to a PLC or DCS for closed-loop control.

ELECTRICAL

Illumination: Color - .1 lux typ. at F =1.4

Video Output: 1.0 V p-p, 75 ohm

Format: TCP/IP communication , Ethernet

Cabling: CAT 5e Ethernet cable, RJ-45 termination

Power Req.: User supplies 120 V AC (US models) or 240V AC (European models)
Canty supplies transformer to 12 V power

Supply: Available in unrated or weather proof

Iris: Electronic auto iris/ shutter speed.
Manual iris options are available.

MECHANICAL

Size: See dimensional info drawing.

Weight: Approximately 10 lbs.

Mounting: ¼ - 20 UNC - 2B connection, 3X in mounting block on housing. Optional heavy duty mounting bracket P/N VD4912-78 available. Reference spec. sheet VD4912-78 for details.

Ratings: Available in NEMA 4, IP66,

Temperature: 0°F to 200°F ambient typical.
Ratings to 2000°F (process) are available on certain models.
Consult factory for details.

CANTY

JM Canty Inc
JM Canty Intl Ltd

Buffalo, NY USA
Dublin, Ireland

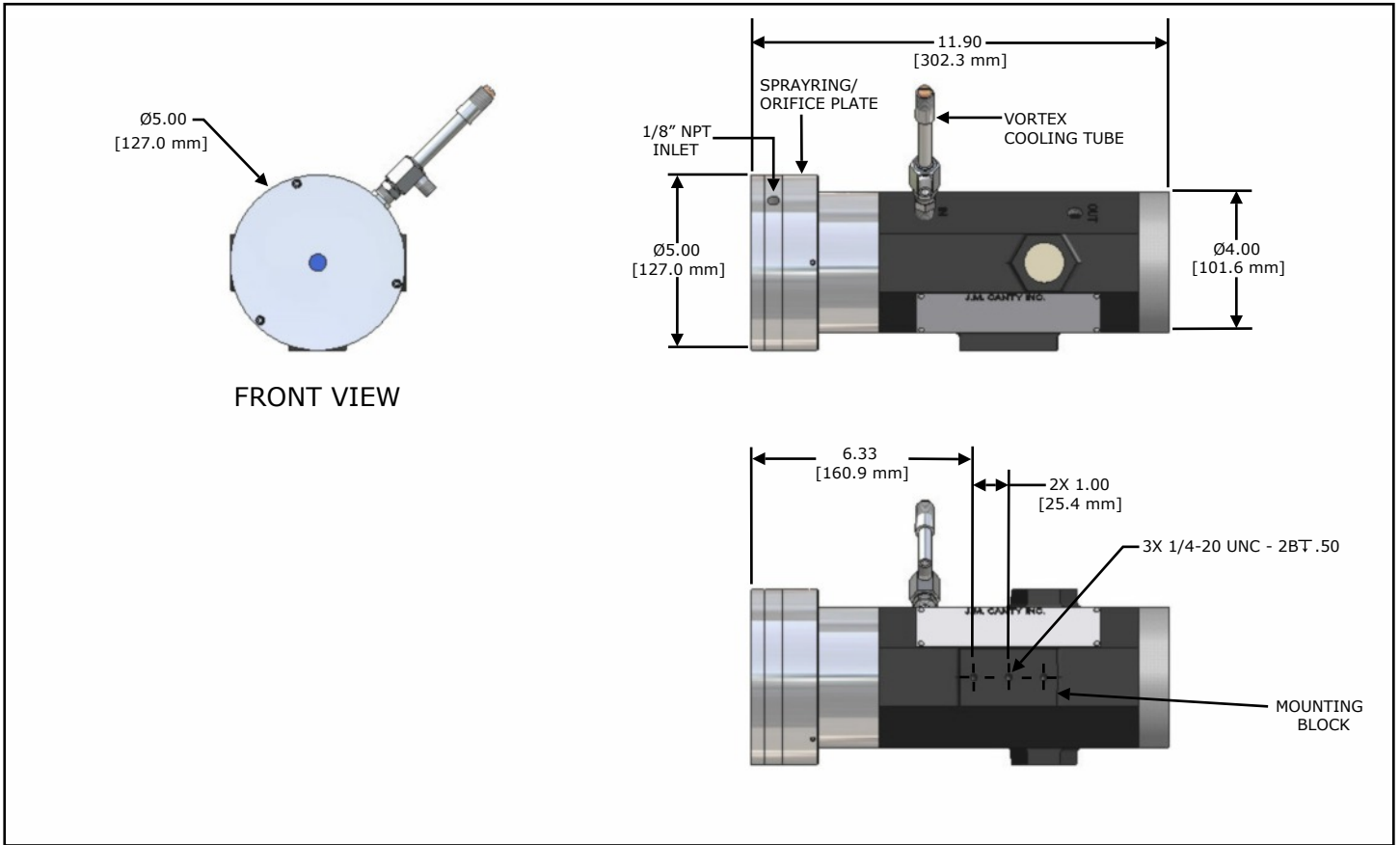
Ph: (716) 625 4227
Ph: + 353 (01) 882 9621

Fax: (716) 625 4228
Fax: +353 (01) 882 9622

www.jmcanty.com

Document P/N: TA11500-1010 Rev. 1

DIMENSIONAL INFORMATION



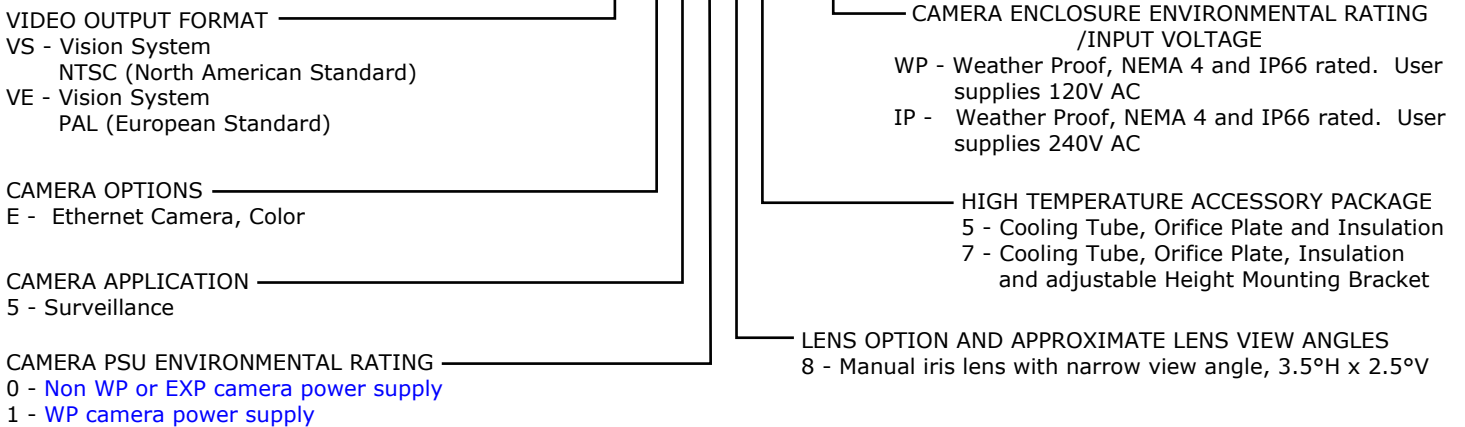
* Please Note That The External Camera Insulation Is Included But Not Shown Above

The part number designated below specifies the system required for most applications.

HOW TO ORDER: Select the appropriate symbols and build a part number as shown:

EXAMPLE:

VSE5085-WP



Reference spec. sheet VD4912-78 for optional mounting bracket details.

* 4-20mA output available by selecting module from data sheet TA9688-1 Ethernet Current Loop Output Options. Sold Separately.

CANTY	JM Canty Inc JM Canty Intl Ltd	Buffalo, NY USA Dublin, Ireland	Ph: (716) 625 4227 Ph: + 353 (01) 882 9621	Fax: (716) 625 4228 Fax: +353 (01) 882 9622
--------------	-----------------------------------	------------------------------------	---	--

www.jmcanty.com