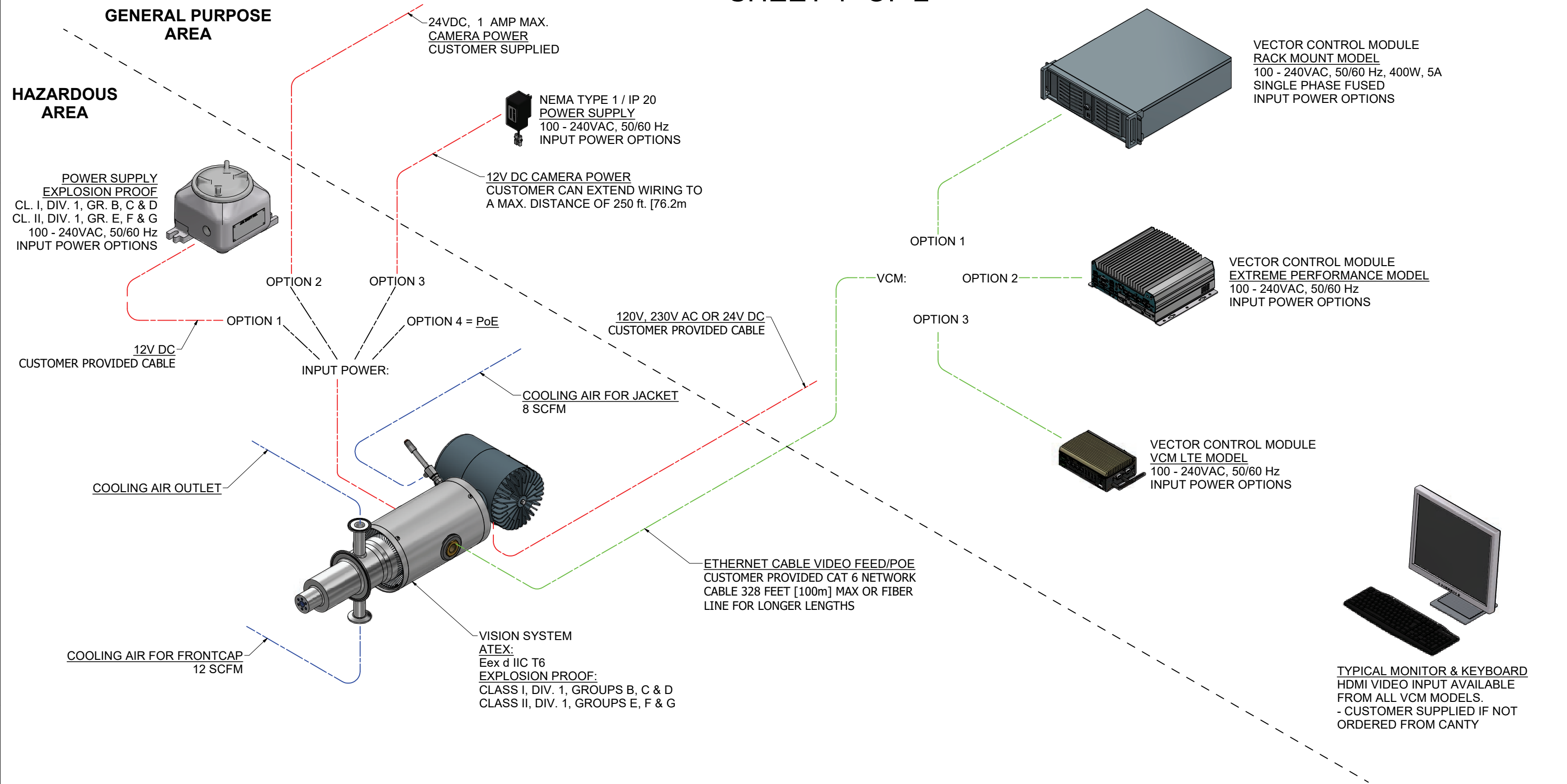
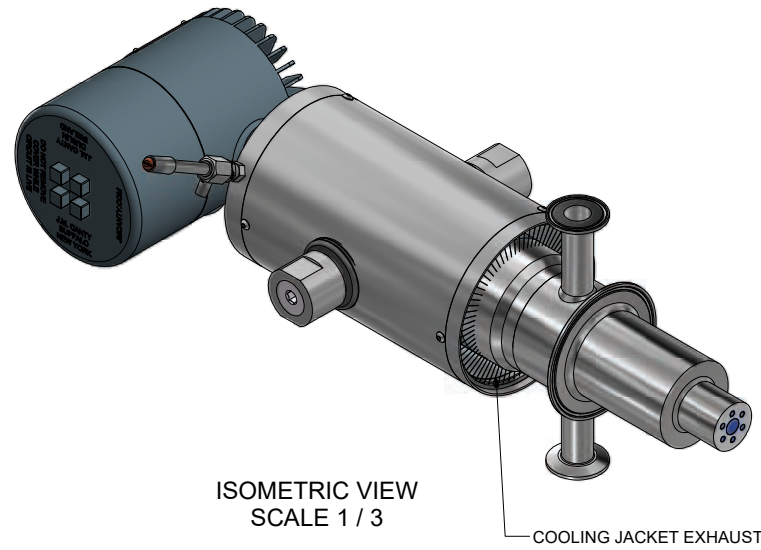


SHEET 1 OF 2

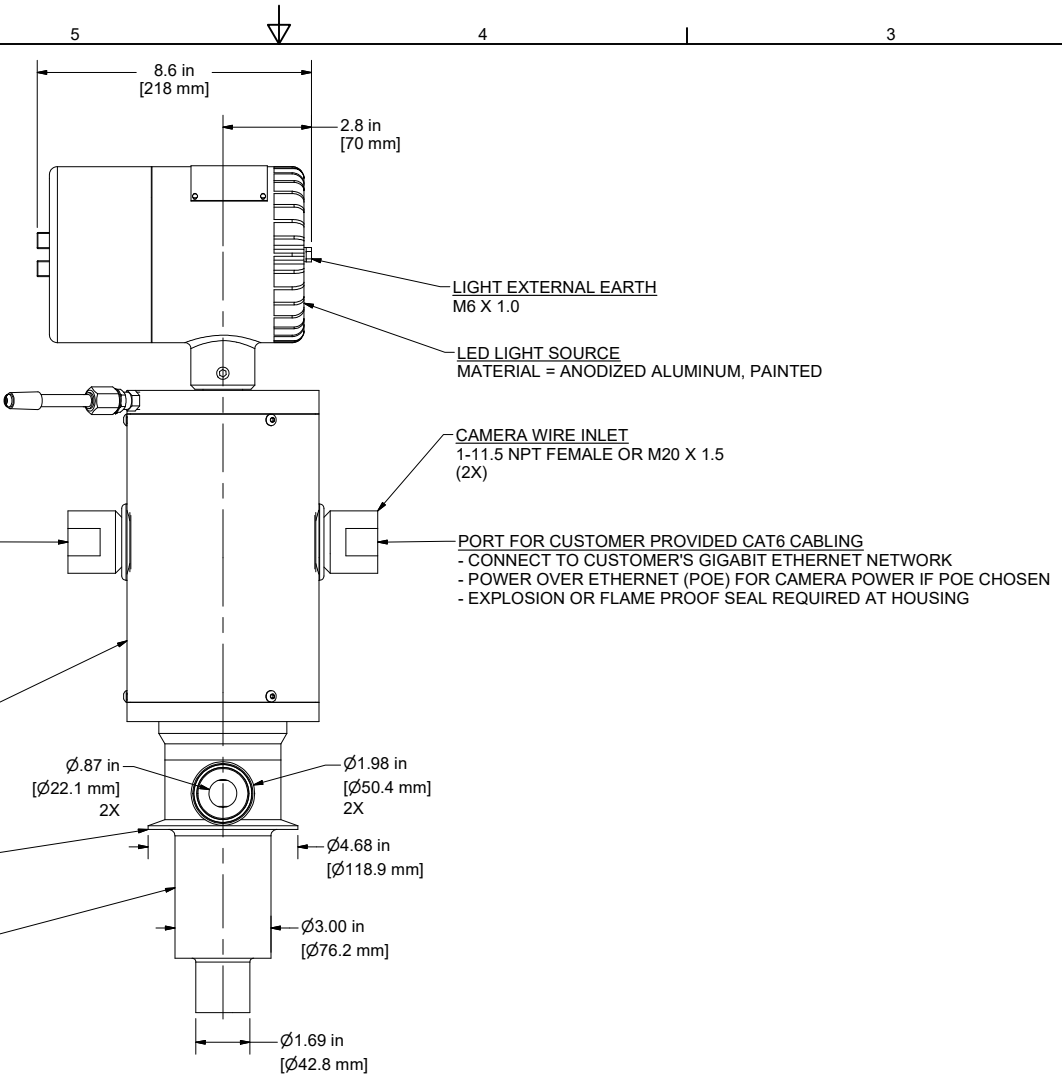


- NOTES:**
- CAMERA IS RATED FOR 150 PSI [10.3 bar] @ 400°F [204°C] MAX. CUSTOMER SUPPLIED GASKETS AND CLAMP WILL LIMIT MAXIMUM OPERATING PRESSURE / TEMPERATURE.
 - WETTED MATERIALS: ALLOY C276, 316L AND BORO PLUS GLASS.
 - NON-WETTED MATERIALS: S.S., ANODIZED ALUMINUM.
 - ANY WIRING AND CONNECTORS ARE SUPPLIED BY CUSTOMER AND MUST BE COMPLETED IN ACCORDANCE WITH APPLICABLE REGULATIONS.
 - ETHERNET CAMERA IS CONNECTED TO CUSTOMER'S DEDICATED ETHERNET NETWORK VIA CAT6 ETHERNET CABLE.
 - EACH ETHERNET VISION SYSTEM IS PROVIDED WITH A LICENSE OF CANTYVISION SOFTWARE INSTALLED ON A CANTY VECTOR CONTROL MODULE (VCM).
 - IF SWITCHES ARE REQUIRED PLEASE SEE MEDIA CONVERTER DATASHEET P/N TA11950-1024.
 - ALL INFORMATION SUBJECT TO CHANGE WITHOUT NOTICE.

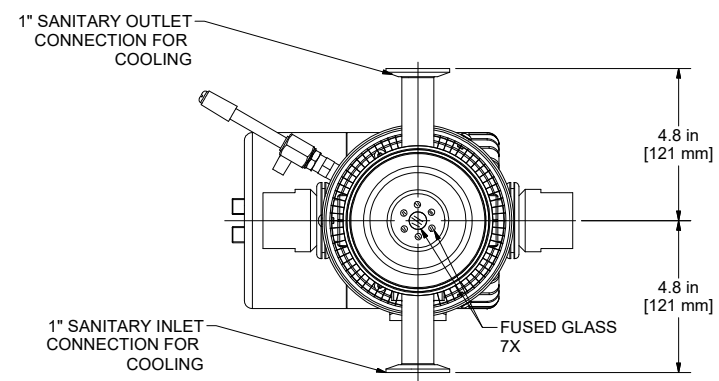
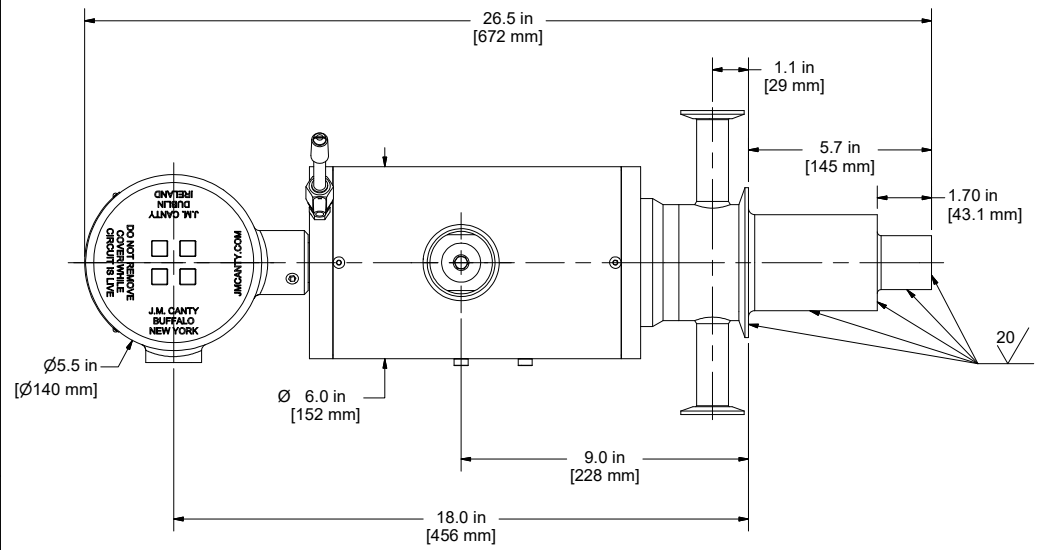
NOTICE THIS DRAWING IS THE PROPERTY OF J.M. CANTY AND MUST BE RETURNED WITHOUT REPRODUCTION OR DUPLICATION, AT ANY TIME UPON REQUEST, BUT IN ANY EVENT AS SOON AS IT HAS SERVED THE PURPOSE FOR WHICH IT WAS FURNISHED. WHILE IN THE POSSESSION OF THE RECIPIENT, IT MUST BE PROPERLY SAFEGUARDED AGAINST DISCLOSURE TO ANYONE EXCEPT THOSE EMPLOYEES WHO REQUIRE IT FOR WORK OR JOB. THE RECIPIENT MUST KEEP CONFIDENTIAL AND REQUIRE HIS (HER) EMPLOYEES TO KEEP CONFIDENTIAL THE INFORMATION CONTAINED HERE ON.	IMPORTANT FOR THE REQUIRED MANUFACTURING SPECIFICATIONS SEE DOCUMENT #A4955 NOTE: FAILURE TO RECEIVE DOCUMENT DOES NOT WAIVE VENDOR RESPONSIBILITY	DRAWN BY RFM APPROVAL RFM ENGINEERING ANALYSIS CURRENT MFG. APPROVAL PENDING QUALITY CONTROL VJS	DATE 14-Jul-22 DATE 14-Jul-22 DATE DATE DATE	J.M. CANTY INC. 6100 DONNER RD. BUFFALO, N.Y. 14094 U.S.A.	 WWW.JMCANTY.COM	J.M. CANTY INTL. LTD. BALLYCOOLIN BUS. PK. BLANCHARDSTOWN DUBLIN 15, IRELAND
	TITLE 4" SANITARY SPRAY DRYER TYPICAL INSTALLATION DETAIL			REVISION C		
	FILE NAME TA11950-1089			SCALE AS NOTED SIZE D SHEET 1 OF 2		
	SHEET 1 OF 2					



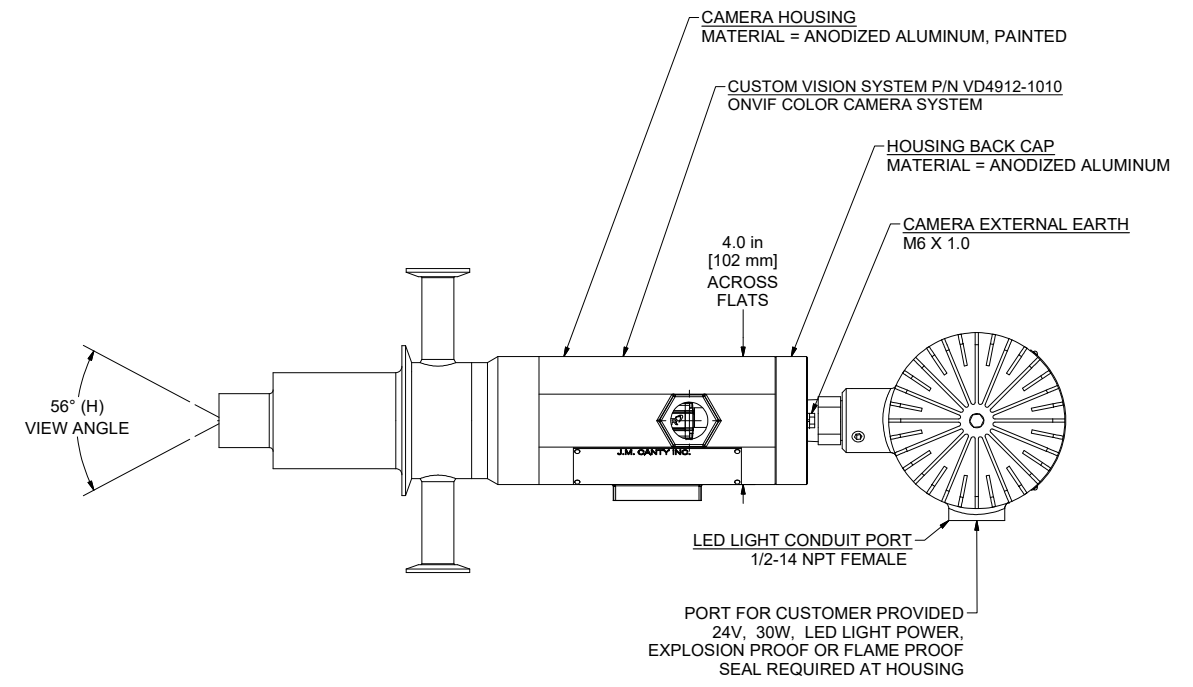
PORT FOR POWER OR PLUGGED FOR POE
- CONNECT TO POWER SUPPLY
- EXPLOSION PROOF OR FLAME PROOF SEAL REQUIRED AT HOUSING



WETTED MATERIALS = 316L S.S., ALLOY C276 & BORO PLUS GLASS



FRONT VIEW SCALE 1 / 3



COOLING JACKET REMOVED FROM VIEW SCALE 1 / 3

- NOTES:
1. CAMERA IS RATED FOR 150 PSI [10.3 bar] @ 400°F [204°C] MAX. CUSTOMER SUPPLIED GASKETS AND CLAMP WILL LIMIT MAXIMUM OPERATING PRESSURE / TEMPERATURE.
 2. WETTED MATERIALS: ALLOY C276, 316L AND BORO PLUS GLASS.
 3. NON-WETTED MATERIALS: S.S., ANODIZED ALUMINUM.
 4. ESTIMATED WEIGHT: 37 LBS [16.8 Kg].
 5. ALL DIMENSIONS LISTED ARE APPROXIMATE AND MAY VARY SLIGHTLY DUE TO MANUFACTURING TOLERANCES AND ASSEMBLY.

<p>NOTICE</p> <p>THIS DRAWING IS THE PROPERTY OF J.M. CANTY AND MUST BE RETURNED WITHOUT REPRODUCTION OR DUPLICATION, AT ANY TIME UPON REQUEST, BUT IN ANY EVENT AS SOON AS IT HAS SERVED THE PURPOSE FOR WHICH IT WAS FURNISHED. WHILE IN THE POSSESSION OF THE RECIPIENT, IT MUST BE PROPERLY SAFEGUARDED AGAINST DISCLOSURE TO ANYONE EXCEPT THOSE EMPLOYEES WHO REQUIRE IT FOR WORK OR JOB. THE RECIPIENT MUST KEEP CONFIDENTIAL AND REQUIRE HIS (HER) EMPLOYEES TO KEEP CONFIDENTIAL THE INFORMATION CONTAINED HERE ON.</p>	<p>IMPORTANT</p> <p>FOR THE REQUIRED MANUFACTURING SPECIFICATIONS SEE DOCUMENT #A4955</p> <p>NOTE: FAILURE TO RECEIVE DOCUMENT DOES NOT WAIVE VENDOR RESPONSIBILITY</p>	DRAWN BY	DATE	<p>J.M. CANTY INC. 6100 DONNER RD. BUFFALO, N.Y. 14094 U.S.A.</p>	<p>CANTY WWW.JMCANTY.COM</p>	<p>J.M. CANTY INTL. LTD. BALLYCOOLIN BUS. PK. BLANCHARDSTOWN DUBLIN 15, IRELAND</p>	
		RFM	14-Jul-22				
		APPROVAL	DATE	TITLE			
		RFM	14-Jul-22	4" SANITARY SPRAY DRYER TYPICAL INSTALLATION DETAIL			
ENGINEERING ANALYSIS	DATE	REVISION	FILE NAME	SCALE AS NOTED			
CURRENT		C	TA11950-1089	SIZE D	SHEET 2 OF 2		
MFG. APPROVAL	DATE						
PENDING							
QUALITY CONTROL	DATE						
VJS							