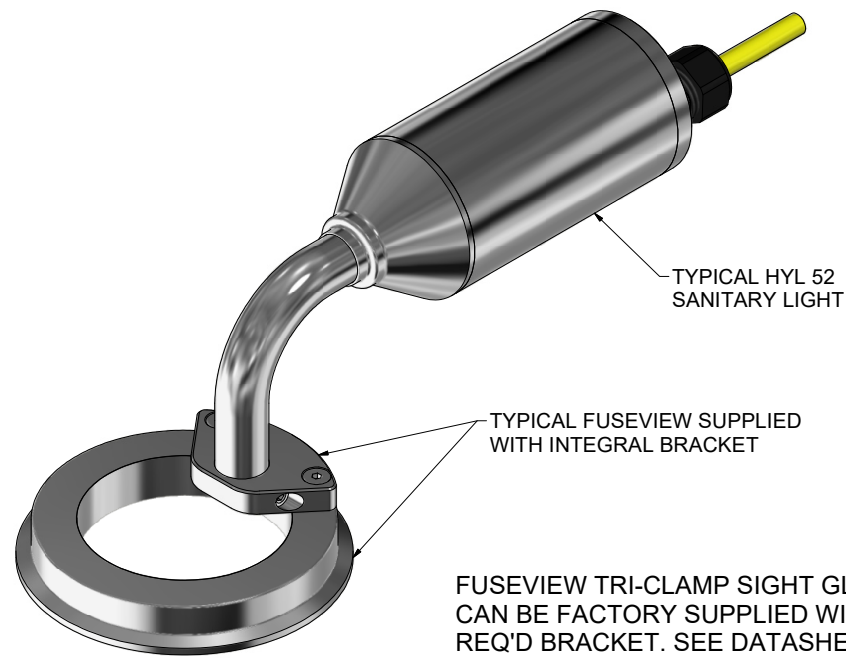


TRI-CLAMP® SANITARY SIGHT GLASS BRACKETS FOR 12" BUNDLE MODELS



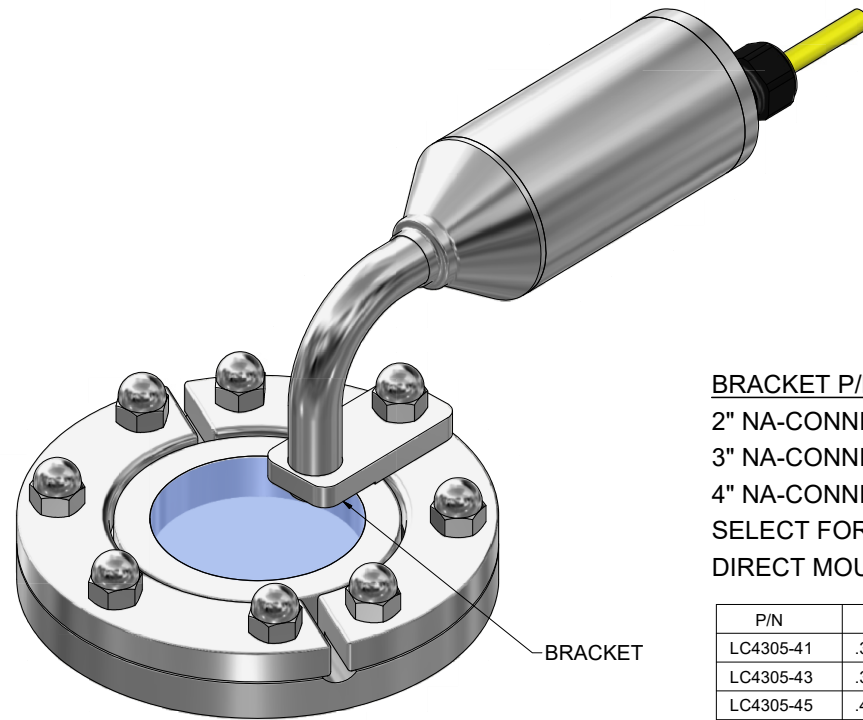
TYPICAL HYL 52 SANITARY LIGHT

TYPICAL FUSEVIEW SUPPLIED WITH INTEGRAL BRACKET

FUSEVIEW TRI-CLAMP SIGHT GLASS CAN BE FACTORY SUPPLIED WITH REQ'D BRACKET. SEE DATASHEET TA7653-1 FOR FUSEVIEW/BRACKET P/NS.

NO ADDITIONAL BRACKET REQ'D FOR 12" BUNDLE. COMPATIBLE WITH ALL MODEL CANTY LIGHTS

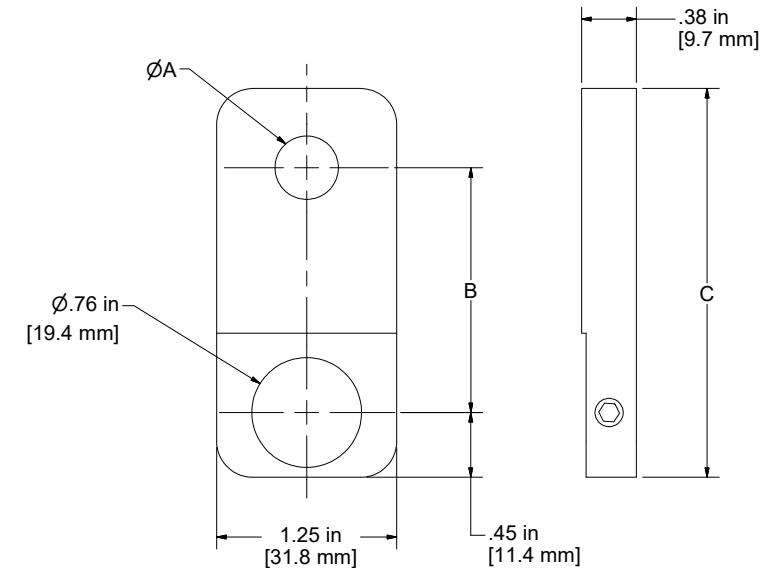
NA-CONNECT® SANITARY SIGHT GLASS BRACKETS



BRACKET P/NS:
 2" NA-CONNECT® : LC4305-41
 3" NA-CONNECT® : LC4305-43
 4" NA-CONNECT® : LC4305-45
 SELECT FOR 12" BUNDLE
 DIRECT MOUNT

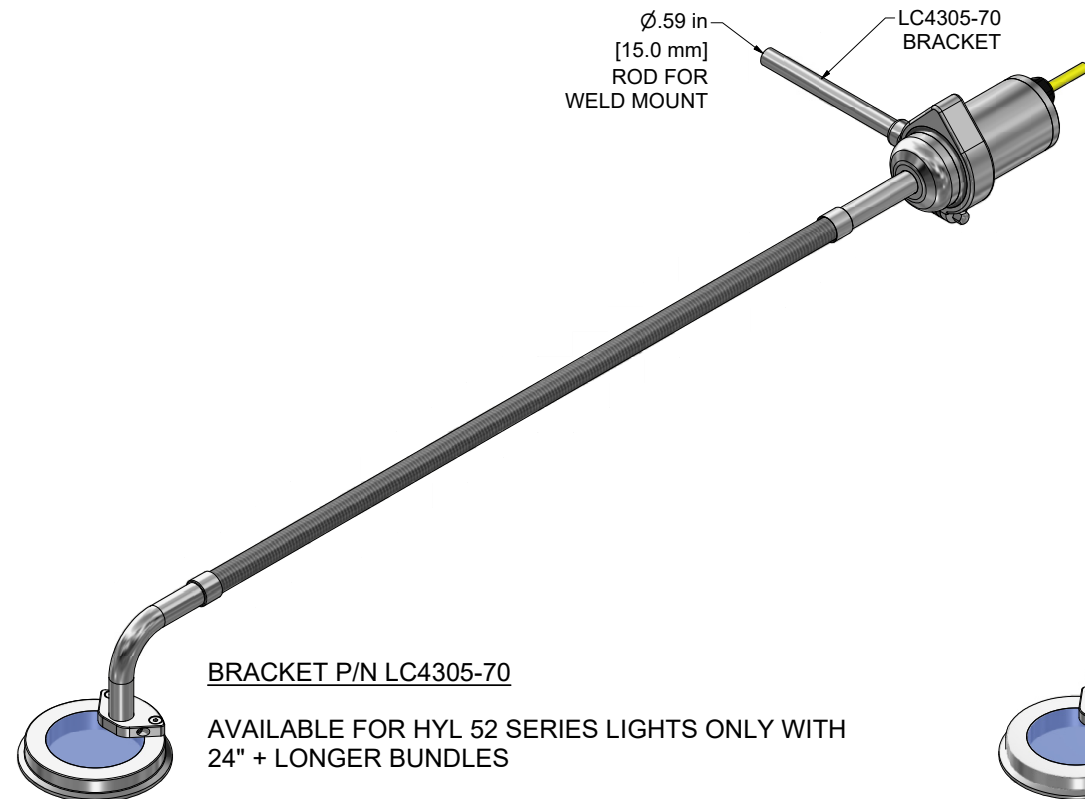
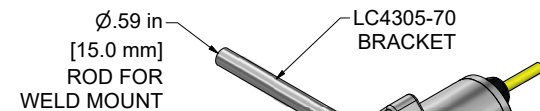
P/N	A	B	C
LC4305-41	.35 [9mm]	1.31 [33.2mm]	2.06 [52.3mm]
LC4305-43	.35 [9mm]	1.50 [38.1mm]	2.25 [57.2mm]
LC4305-45	.44 [11.1mm]	1.70 [43.2mm]	2.70 [68.6mm]

NOTE: BRACKET LC4305-70 OR TUBE SUPPORT SUB. LC4305-42 CAN ALSO BE PURCHASED IN ADDITION TO MODEL SHOWN ABOVE IF USING A 24" + LONGER BUNDLE FOR REMOTE MOUNTING ON NA-CONNECT® SIGHT GLASSES.

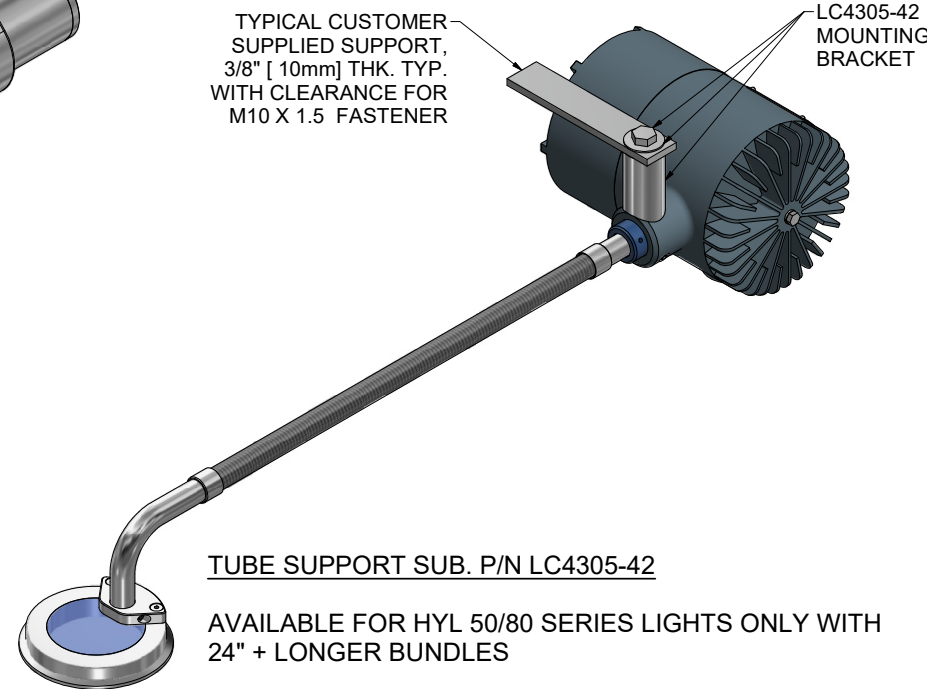
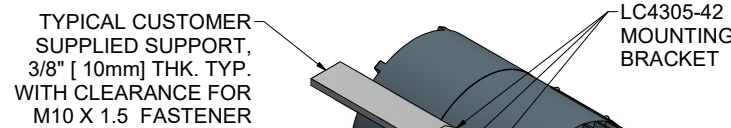


BUNDLE MOUNT BRACKET
 300 SERIES STAINLESS STL.
 SCALE 1.5 : 1

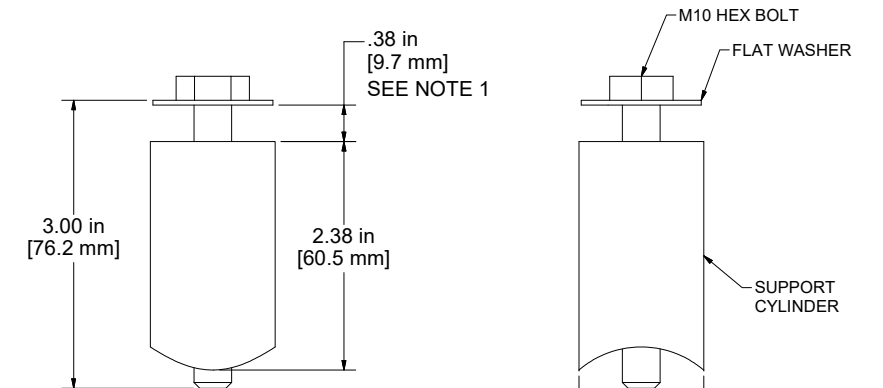
TRI-CLAMP® SANITARY SIGHT GLASS BRACKETS FOR 24" + LONGER BUNDLE MODELS



BRACKET P/N LC4305-70
 AVAILABLE FOR HYL 52 SERIES LIGHTS ONLY WITH 24" + LONGER BUNDLES



TUBE SUPPORT SUB. P/N LC4305-42
 AVAILABLE FOR HYL 50/80 SERIES LIGHTS ONLY WITH 24" + LONGER BUNDLES



SUPPORT CYLINDER SUB.
 300 SERIES STAINLESS STL.
 SCALE 1 : 1

NOTES:

1. THE DIMENSION LISTED IS THE MATING MOUNT MEMBER THICKNESS WHICH WILL ALLOW THE HEX BOLT TO MATE PROPERLY WITH THE LIGHT SOURCE. IF THE MOUNT MEMBER THICKNESS IS LESS THAN THE DIMENSION SHOWN THEN A SHORTER BOLT MAY BE NEEDED OR ADDITIONAL WASHERS CAN BE USED.

<p>NOTICE</p> <p>THIS DRAWING IS THE PROPERTY OF J.M. CANTY AND MUST BE RETURNED WITHOUT REPRODUCTION OR DUPLICATION, AT ANY TIME UPON REQUEST, BUT IN ANY EVENT AS SOON AS IT HAS SERVED THE PURPOSE FOR WHICH IT WAS FURNISHED. WHILE IN THE POSSESSION OF THE RECIPIENT, IT MUST BE PROPERLY SAFEGUARDED AGAINST DISCLOSURE TO ANYONE EXCEPT THOSE EMPLOYEES WHO REQUIRE IT FOR WORK OR JOB. THE RECIPIENT MUST KEEP CONFIDENTIAL AND REQUIRE HIS (HER) EMPLOYEES TO KEEP CONFIDENTIAL THE INFORMATION CONTAINED HERE ON.</p>	<p>IMPORTANT</p> <p>FOR THE REQUIRED MANUFACTURING SPECIFICATIONS SEE DOCUMENT #A4955</p> <p>NOTE: FAILURE TO RECEIVE DOCUMENT DOES NOT WAIVE VENDOR RESPONSIBILITY</p>	DRAWN BY RFM	DATE 26-Apr-07	J.M. CANTY INC. 6100 DONNER RD. BUFFALO, N.Y. 14094 U.S.A.	CANTY WWW.JMCANTY.COM	J.M. CANTY INTL. LTD. BALLYCOOLIN BUS. PK. BLANCHARDSTOWN DUBLIN 15, IRELAND	
		APPROVAL RFM	DATE 26-Apr-07				
		ENGINEERING ANALYSIS CURRENT	DATE				
		MFG. APPROVAL PENDING	DATE				
QUALITY CONTROL I.O.A.	DATE	TITLE SANITARY SIGHT GLASS FLEX BUNDLE MOUNTING BRACKET SALES DETAIL		SIZE / REVISION D 4	FILE NAME TD10811-200	SCALE AS NOTED	SHEET 1 OF 1