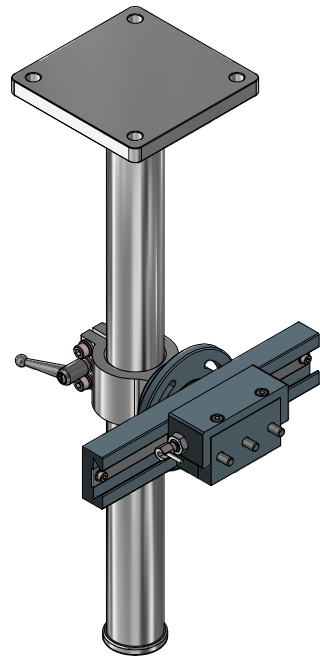
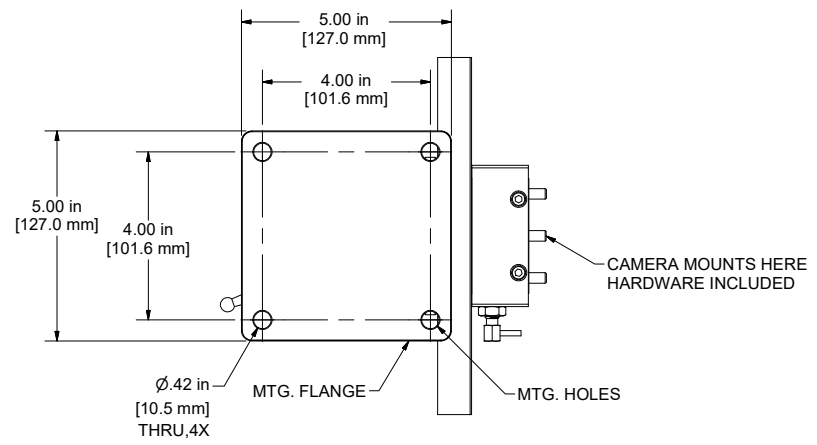


CANTY PART NUMBER: VD11930-100

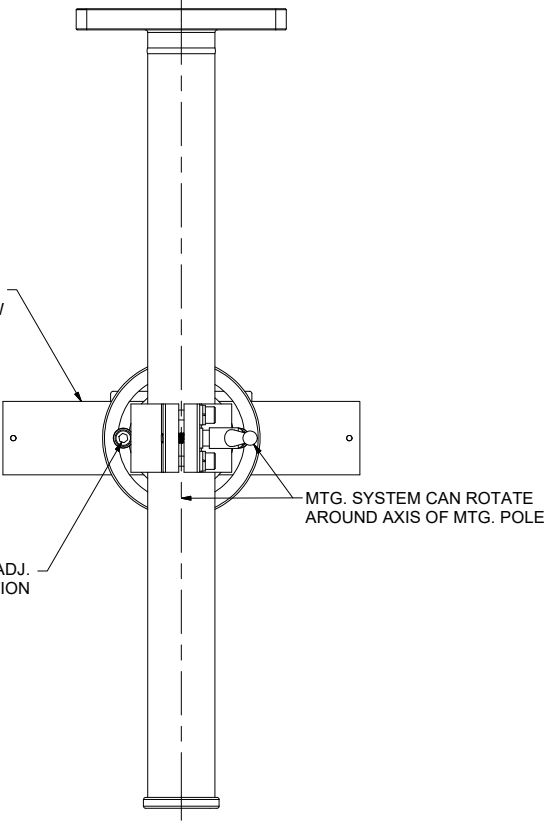
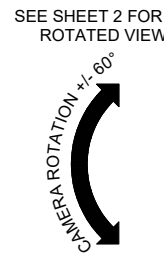
SHEET 1 OF 2



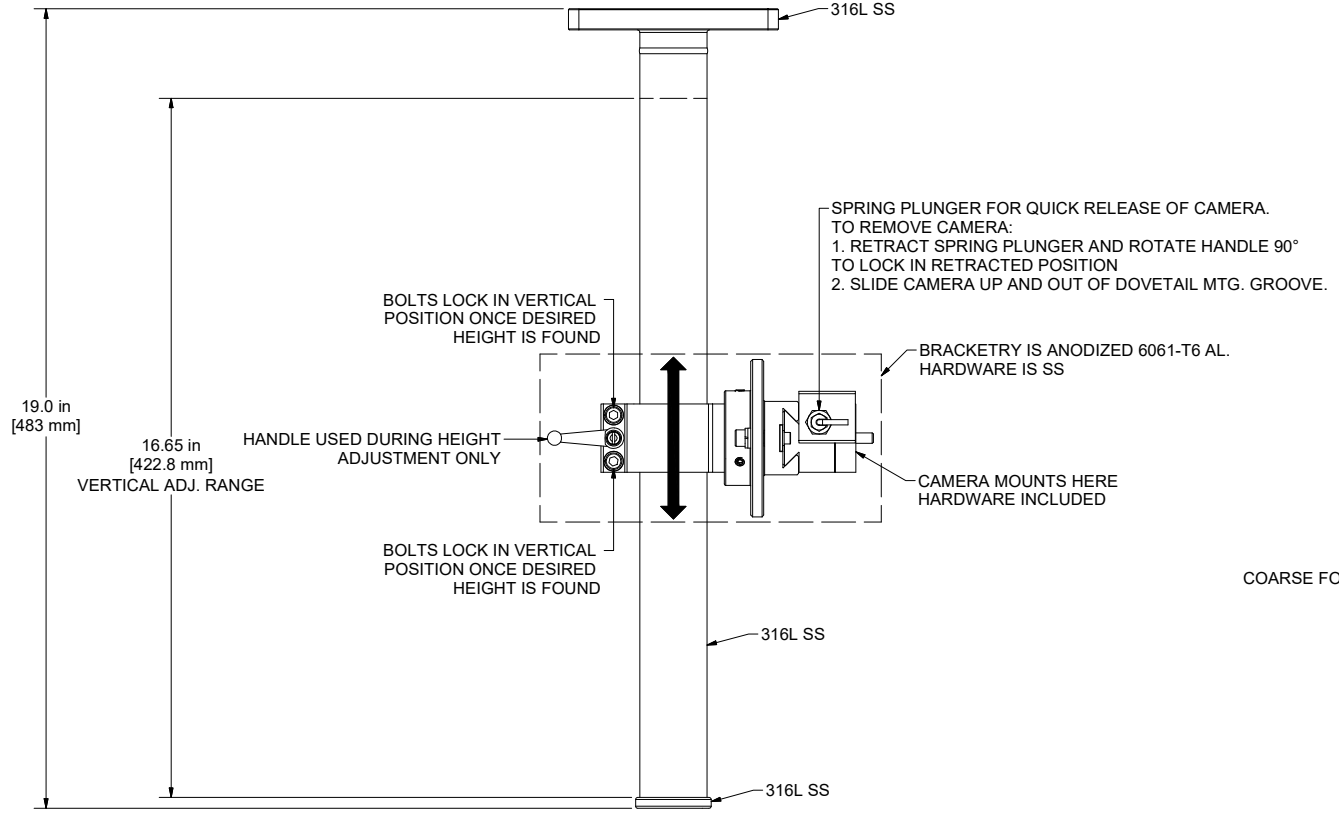
ISOMETRIC VIEW  
SCALE .375 : 1



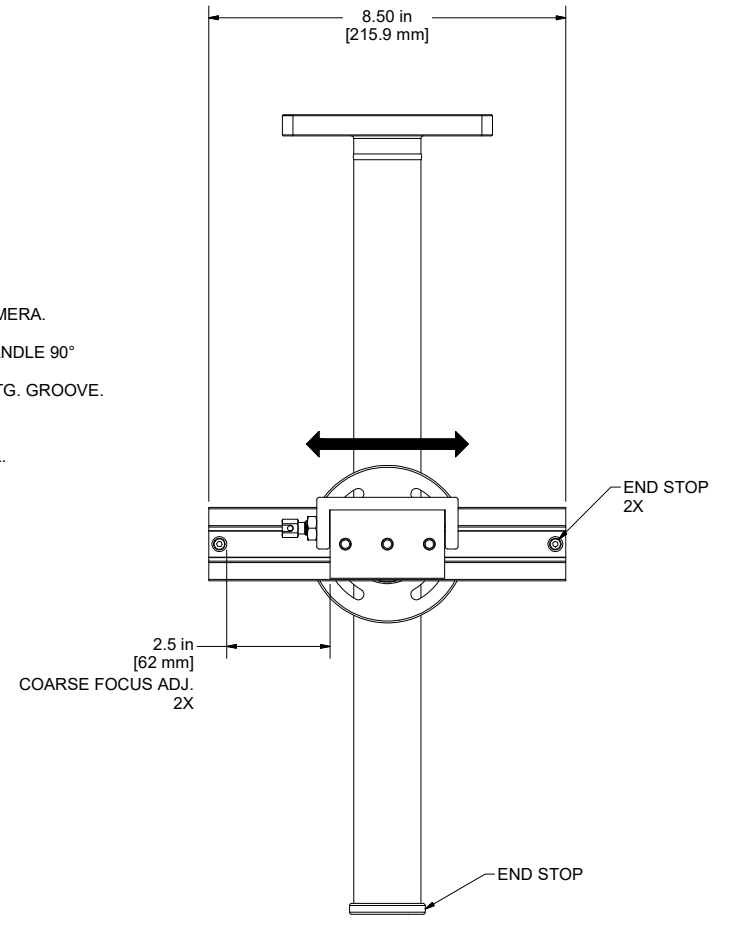
TOP VIEW  
SCALE .4375 : 1



LEFT VIEW  
SCALE .4375 : 1

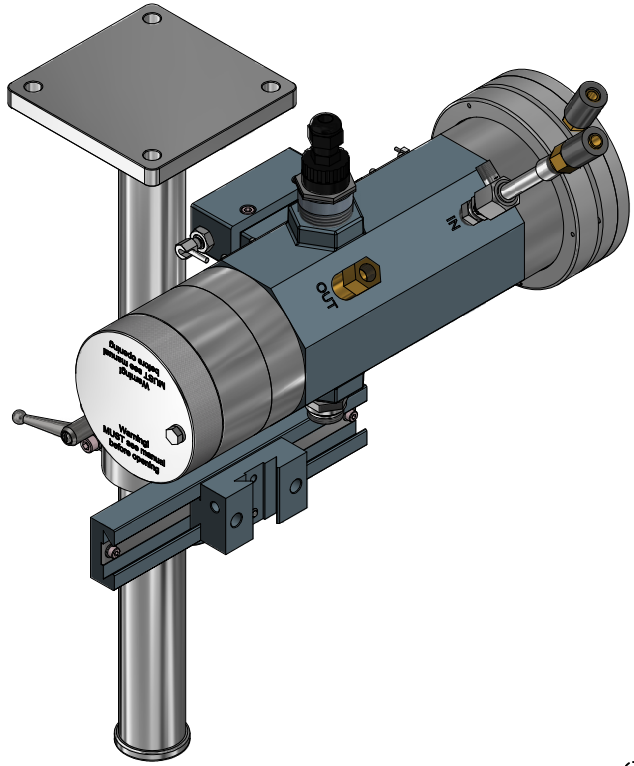


FRONT VIEW  
SCALE .4375 : 1

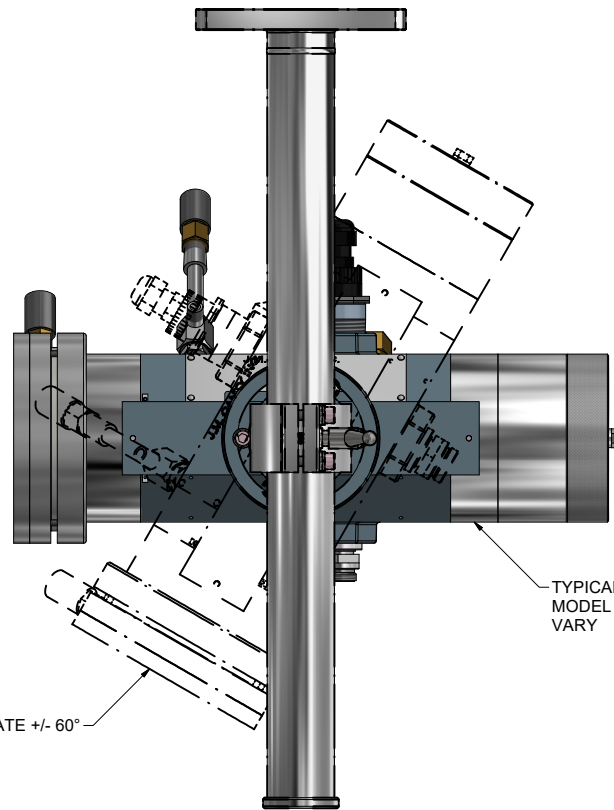


RIGHT VIEW  
SCALE .4375 : 1

<p>(NO REF.) ADDED PART NUMBER NOTE BOTH SHEETS</p>		04-SEP-18	DEJ	DEJ
<p>ADDED DIMENSION FROM C.L. OF MTG. POLE TO C.L. OF CAMERA ON SHEET 2</p>		04-MAY-17	DEJ	DEJ
REV	DESCRIPTION	DATE	BY	APRV.
REVISIONS				
NOTICE	IMPORTANT	DRAWN BY	DATE	<p>J.M. CANTY INC. 6100 DONNER RD. BUFFALO, N.Y. 14094 U.S.A.</p> <p><b>CANTY</b> WWW.JMCANTY.COM</p> <p>J.M. CANTY INTL. LTD. BALLYCOOLIN BUS. PK. BLANCHARDSTOWN DUBLIN 15, IRELAND</p>
<p>THIS DRAWING IS THE PROPERTY OF J.M. CANTY AND MUST BE RETURNED WITHOUT REPRODUCTION OR DUPLICATION, AT ANY TIME UPON REQUEST, BUT IN ANY EVENT AS SOON AS IT HAS SERVED THE PURPOSE FOR WHICH IT WAS FURNISHED. WHILE IN THE POSSESSION OF THE RECIPIENT, IT MUST BE PROPERLY SAFEGUARDED AGAINST DISCLOSURE TO ANYONE EXCEPT THOSE EMPLOYEES WHO REQUIRE IT FOR WORK OR JOB. THE RECIPIENT MUST KEEP CONFIDENTIAL AND REQUIRE HIS (HER) EMPLOYEES TO KEEP CONFIDENTIAL THE INFORMATION CONTAINED HERE ON.</p>	<p>FOR THE REQUIRED MANUFACTURING SPECIFICATIONS SEE DOCUMENT #A4955</p> <p>NOTE: FAILURE TO RECEIVE DOCUMENT DOES NOT WAIVE VENDOR RESPONSIBILITY</p>	DEJ	09-Feb-17	
		APPROVAL	DATE	
		DEJ	10-Feb-17	
		ENGINEERING ANALYSIS	DATE	
		CURRENT		
		MFG. APPROVAL	DATE	
PENDING				
QUALITY CONTROL	DATE	<p>TITLE LAYOUT DRAWING, CANTY CAMERA MTG. / ADJ. SYS., W/ QR</p>		
VJS		REVISION	FILE NAME	
		2	VD11930-110	
		SCALE AS NOTED	SIZE D	SHEET 1 OF 2



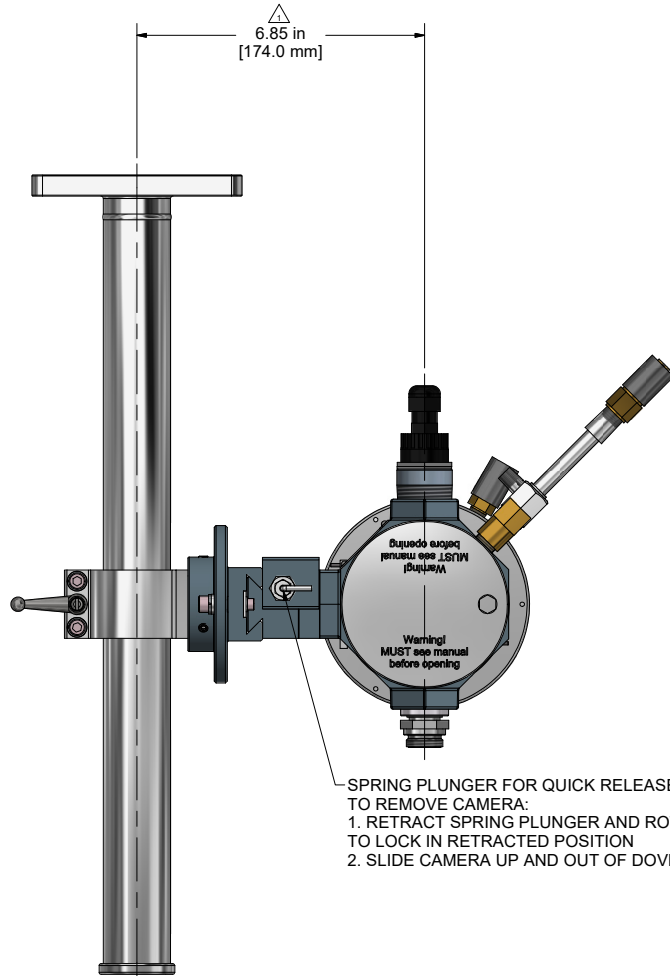
ISOMETRIC VIEW  
SCALE .4375 : 1



CAMERA CAN ROTATE +/- 60°

LEFT VIEW  
SCALE .4375 : 1

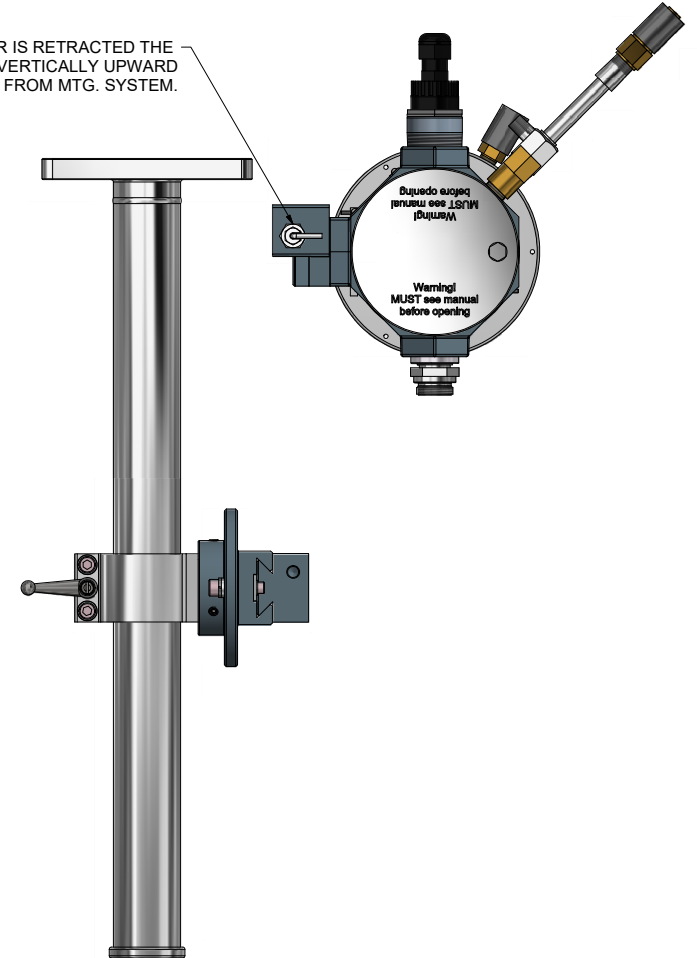
TYPICAL CAMERA SHOWN  
MODEL AND OPTIONS MAY VARY



FRONT VIEW  
SCALE .4375 : 1

SPRING PLUNGER FOR QUICK RELEASE OF CAMERA.  
TO REMOVE CAMERA:  
1. RETRACT SPRING PLUNGER AND ROTATE HANDLE 90°  
TO LOCK IN RETRACTED POSITION  
2. SLIDE CAMERA UP AND OUT OF DOVETAIL MTG. GROOVE.

WHEN SPRING PLUNGER IS RETRACTED THE  
CAMERA CAN BE LIFTED VERTICALLY UPWARD  
TO BE REMOVED FROM MTG. SYSTEM.



FRONT VIEW  
SCALE .4375 : 1  
(CAMERA REMOVED)

(NO REF.) ADDED PART NUMBER NOTE BOTH SHEETS (NO REF.) ADDED DIMENSION FROM C.L. OF MTG. POLE TO C.L. OF CAMERA ON SHEET 2		04-SEP-18	DEJ	DEJ
REV	DESCRIPTION	DATE	BY	APRV.
REVISIONS				
NOTICE THIS DRAWING IS THE PROPERTY OF J.M. CANTY AND MUST BE RETURNED WITHOUT REPRODUCTION OR DUPLICATION, AT ANY TIME UPON REQUEST, BUT IN ANY EVENT AS SOON AS IT HAS SERVED THE PURPOSE FOR WHICH IT WAS FURNISHED. WHILE IN THE POSSESSION OF THE RECIPIENT, IT MUST BE PROPERLY SAFEGUARDED AGAINST DISCLOSURE TO ANYONE EXCEPT THOSE EMPLOYEES WHO REQUIRE IT FOR WORK OR JOB. THE RECIPIENT MUST KEEP CONFIDENTIAL AND REQUIRE HIS (HER) EMPLOYEES TO KEEP CONFIDENTIAL THE INFORMATION CONTAINED HERE ON.	IMPORTANT FOR THE REQUIRED MANUFACTURING SPECIFICATIONS SEE DOCUMENT #A4955  NOTE: FAILURE TO RECEIVE DOCUMENT DOES NOT WAIVE VENDOR RESPONSIBILITY	DRAWN BY DEJ APPROVAL DEJ ENGINEERING ANALYSIS CURRENT MFG. APPROVAL PENDING QUALITY CONTROL VJS	DATE 09-Feb-17 DATE 10-Feb-17 DATE DATE DATE	J.M. CANTY INC. 6100 DONNER RD. BUFFALO, N.Y. 14094 U.S.A.  <b>CANTY</b> WWW.JMCANTY.COM J.M. CANTY INTL. LTD. BALLYCOOLIN BUS. PK. BLANCHARDSTOWN DUBLIN 15, IRELAND
TITLE		LAYOUT DRAWING, CANTY CAMERA MTG. / ADJ. SYS., W/ QR		
REVISION	FILE NAME	VD11930-110		
2	SCALE AS NOTED	SIZE D	SHEET 2 OF 2	